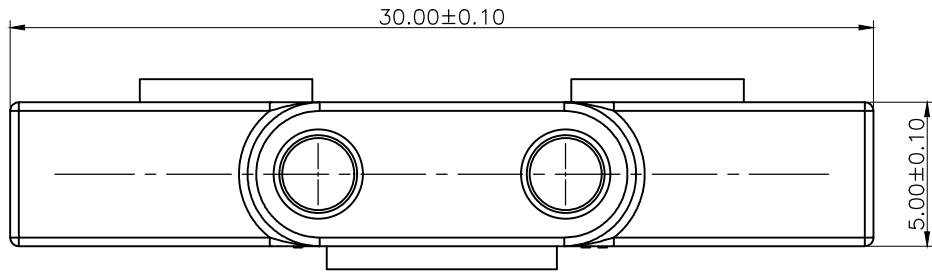
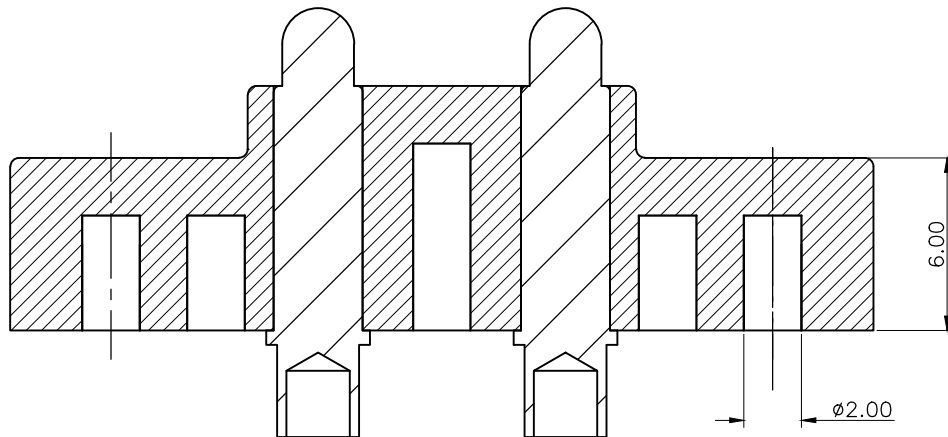
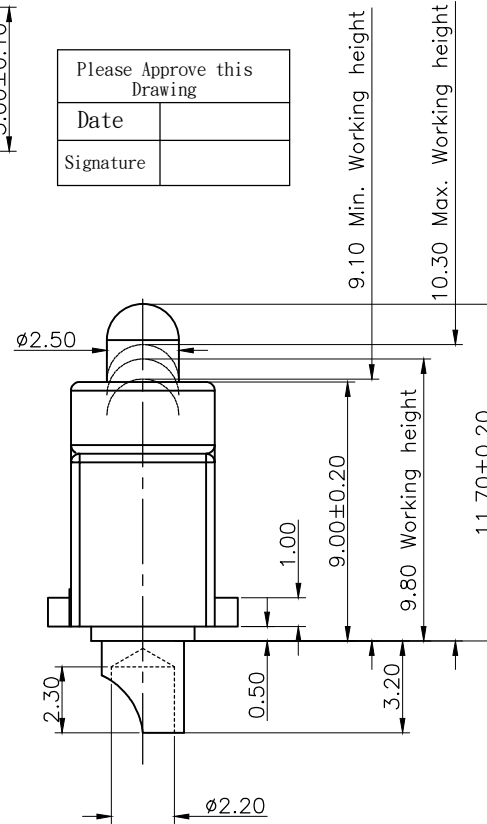
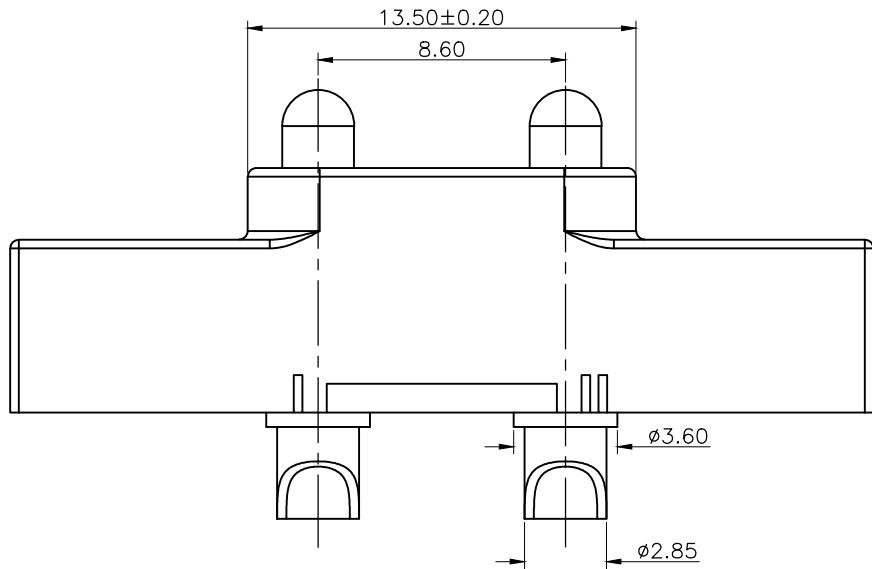


NO.	Part Name	Q'TY	Material	Plated surface
1	Plunger	2	C3604	Au 10u" Min. OVER 50~100 U" NI
2	Barrel	2	C3604	Au 5u" Min. OVER 50~100 U" NI
3	Spring	2	SUS 304	N/A
4	Ball	2	SUS 304	ø1.40mm Au 5u" Min. OVER 50~100 U" NI
5	Housing	1	PA 4T	94V-0, BLACK


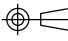


Please Approve this Drawing	
Date	
Signature	



NOTES:

- Electrical
 - .Rated Current & Voltage : DC 12 V ; 3A
 - .Contact Resistance: 30 mohm maximum at Working Height(Quiescence)
 - .Insulation Resistance: 500MΩ Min. at 500VDC/Minute
 - .Dielectric Withstanding Voltage: At 500VAC/Minute No Breakdown
- Mechanical
 - .Spring Force : 110gf±20gf at Normal Working Height
 - .Durability:50,000 cycles(minimum)
 - .Contact Retention Force:300gf/PIN Mln.
- Environmental
 - .Operating Temperature: -25°C~+85°C
 - .Humidity Range: 10%RH~90%RH
 - .Salt Spray: 48 Hours
- When the current is greater than 1A then need to increase the time delay circuit(3 second)
- To avoid arcing issue, The adaptor start to power supply after connector mated fully.
- To ensure the best usage, please operate it based on the working height.
- RoHs&HF compliant product.

DRAWN	Roy	DATE	2019.09.17			 Dongguan Promax Electronics Technology Co., Ltd
CHECKED		SCALE	10:1	VER.	B.0	
APPROVED		TITLE	pogo pin connector.			Ang:
PROJECT		DRAWING NO.	C1353-02P			0 ±1°
SHEET	1 of 1	UNIT	mm			.0 ±0.5°
						.00 ±0.25°
						Dim: 0 ±0.15
						.0 ±0.10
						.00 ±0.05