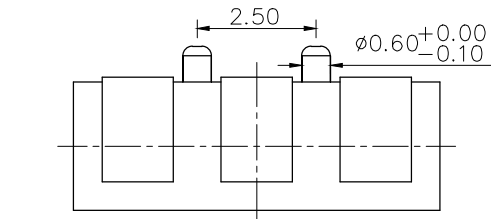
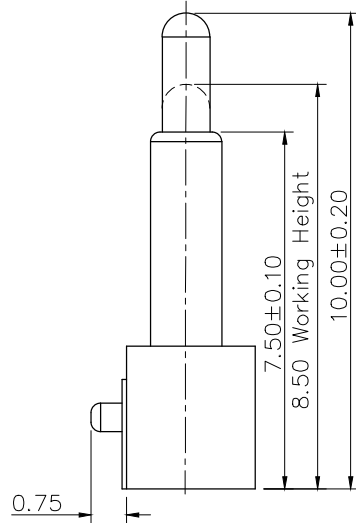
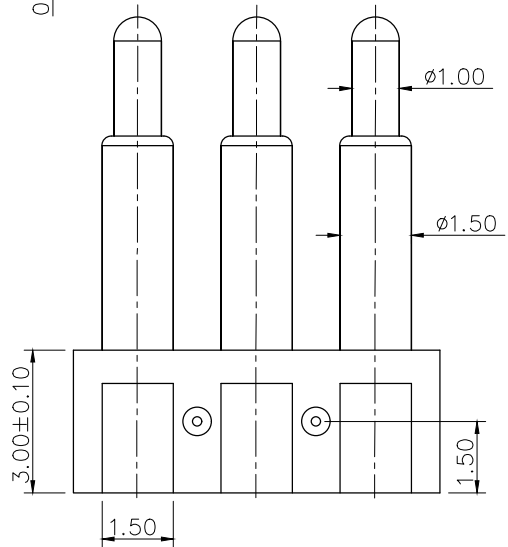
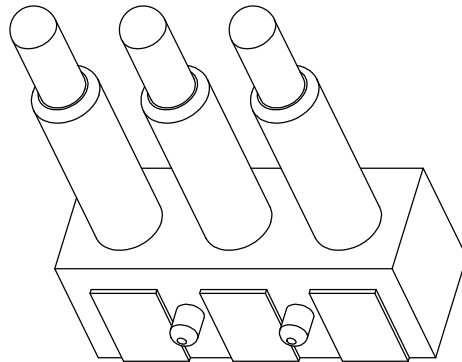
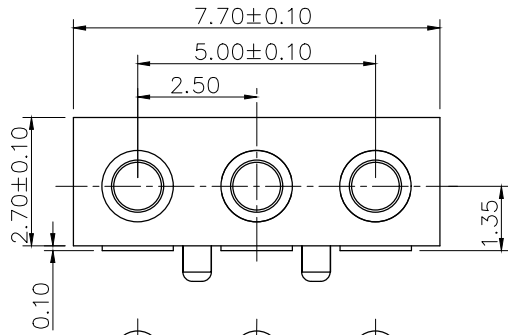


Please Approve this Drawing

Date

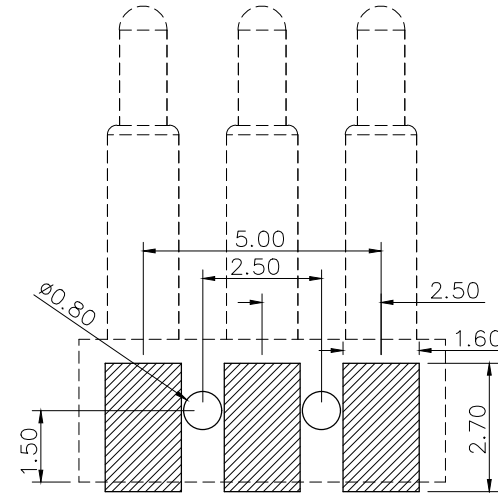
Signature

NO.	Part Name	Q'TY	Material	Plated surface
1	Plunger	3	Brass	Au 3u" Min. Over 50u" Min. Ni
2	Barrel	3	Brass	AU 3U" MIN OVER 50 U" Min. NI
3	Spring	3	SUS	AU 1U" MIN OVER NI
4	Housing	1	High temp.Plastic; UL94 V-0 Color Black	
5				



NOTES:

- Electrical
 - .Rated Current & Voltage : DC 12 V ; 1.0A
 - .Contact Resistance: 50 mohm maximum at Working Height(Quiescence)
- Mechanical
 - .Full store: 2.00 mm
 - .Working Store: 1.50 mm
 - .Spring Force : 100gf±20gf at Working Store
 - .Durability: 20,000 cycles(minimum)
- Environmental
 - .Operating Temperature: -40°C~+70°C
 - .Humidity Range: 10%RH~90%RH
 - .Salt Spray: 48 Hours
- When the current is greater than 1A then need to increase the time delay circuit(3 second)
- To avoid arcing issue, The adaptor start to power supply after connector mated fully.
- To ensure the best usage, please operate it based on the working height.
- RoHs&HF compliant product.



Recommended pcb layout
layout tolerance: ±0.05mm

DRAWN	lys	DATE	2020.11.19				Dongguan Promax Electronics Technology Co., Ltd	
CHECKED		SCALE	10:1	VER.	B.0			
APPROVED		TITLE	pogo pin connector.			Ang:	Dim:	
PROJECT		DRAWING NO.	C2512-03R			0 ±1°	0 ±0.15	
SHEET	1 of 1	UNIT	mm			.0 ±0.5°	.0 ±0.10	
						.00 ±0.25°	.00 ±0.05	

VER.	DESCRIPTION	ECN NO.	DATE