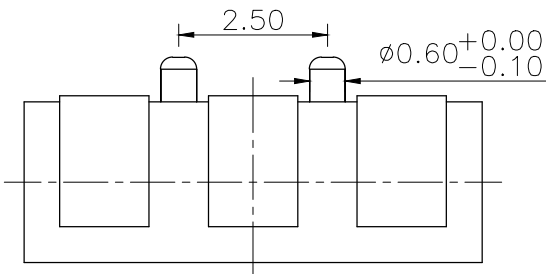
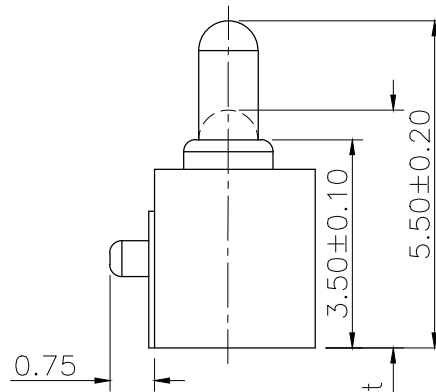
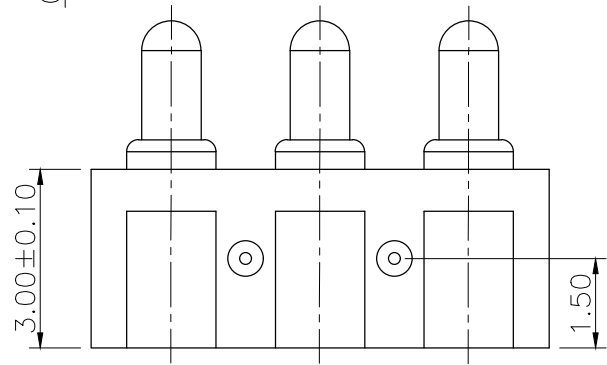
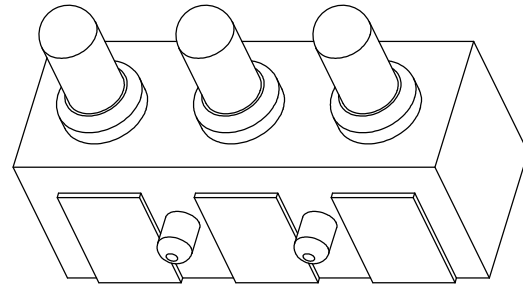
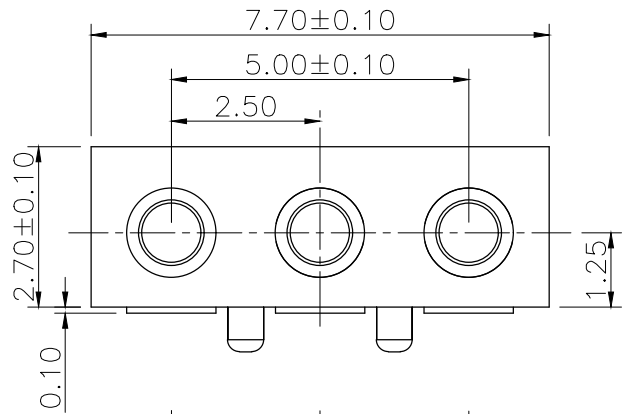


Please Approve this Drawing

Date

Signature

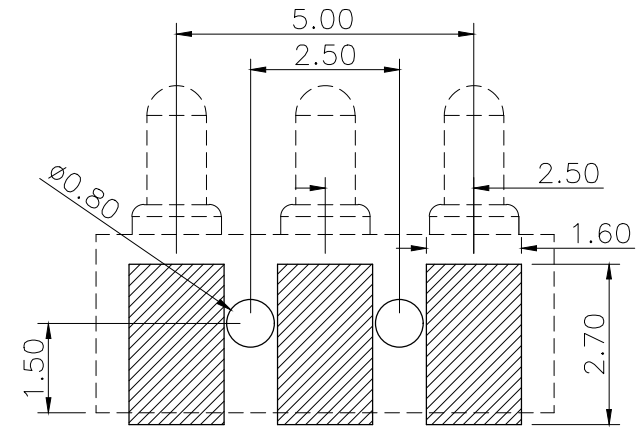


4.00 Working Height

| NO. | Part Name | Q'TY | Material | Plated surface |
|-----|-----------|------|---|-------------------------------|
| 1 | Plunger | 3 | Brass | Au 3u" Min. Over 50u" Min. Ni |
| 2 | Barrel | 3 | Brass | AU 3U" MIN OVER 50 U" Min. Ni |
| 3 | Spring | 3 | SUS | / |
| 4 | Housing | 1 | High temp.Plastic; UL94 V-0 Color Black | |
| 5 | | | | |

NOTES:

- Electrical
 - .Rated Current & Voltage : DC 12 V ; 1.0A
 - .Contact Resistance:50 mohm maximum at Working Height(Quiescence)
- Mechanical
 - .Full store: 1.90 mm
 - .Working Store: 1.50 mm
 - .Spring Force : 100gf±20gf at Working Store
 - .Durability:20,000 cycles(minimum)
- Environmental
 - .Operating Temperature: -40°C~+70°C
 - .Humidity Range: 10%RH~90%RH
 - .Salt Spray: 48 Hours
- When the current is greater than 1A then need to increase the time delay circuit(3 second)
- To avoid arcing issue, The adaptor start to power supply after connector mated fully.
- To ensure the best usage,please operate it based on the working height.
- RoHS&HF compliant product.



Recommended pcb layout
layout tolerance: ±0.05mm

| | | | | | | | | |
|----------|--------|-------------|---------------------|------|-----|------------|---|--|
| DRAWN | lys | DATE | 2020.11.23 | | | | Dongguan Promax Electronics Technology Co., Ltd | |
| CHECKED | | SCALE | 10:1 | VER. | B.0 | | | |
| APPROVED | | TITLE | pogo pin connector. | | | Ang: | Dim: | |
| PROJECT | | DRAWING NO. | C2519-03R | | | 0 ±1° | 0 ±0.15 | |
| SHEET | 1 of 1 | UNIT | mm | | | .0 ±0.5° | .0 ±0.10 | |
| | | | | | | .00 ±0.25° | .00 ±0.05 | |

| VER. | DESCRIPTION | ECN NO. | DATE |
|------|-------------|---------|------|
| | | | |