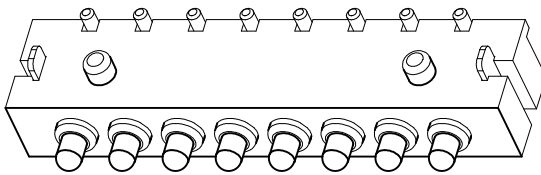
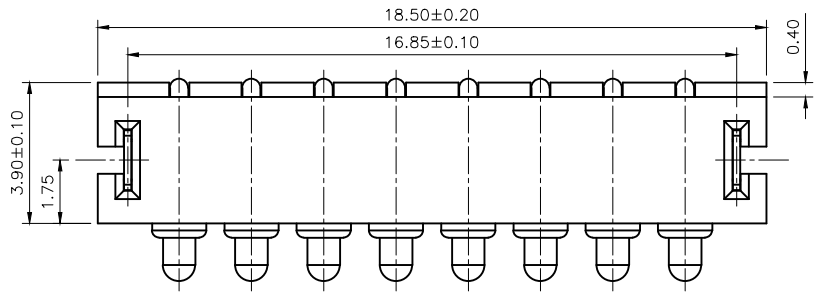


Please Approve this Drawing

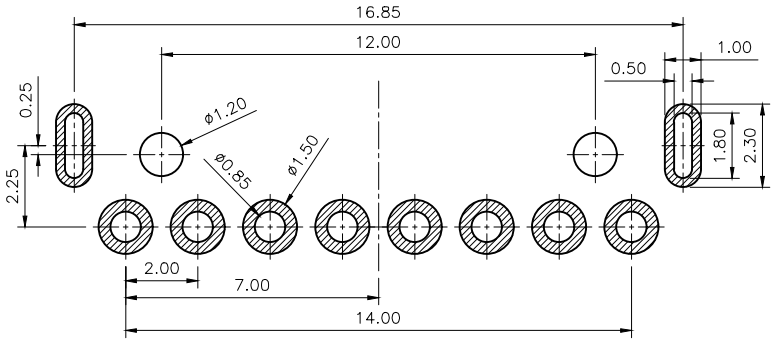
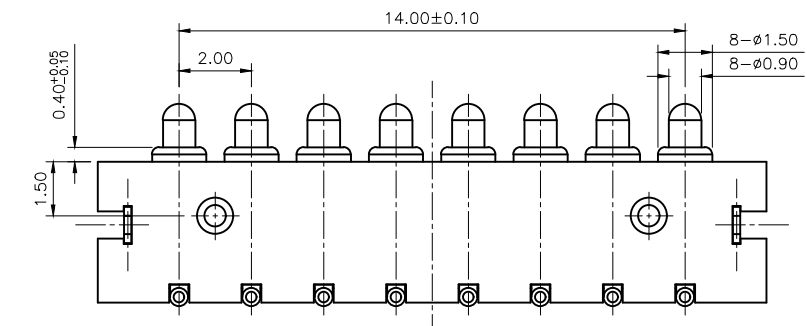
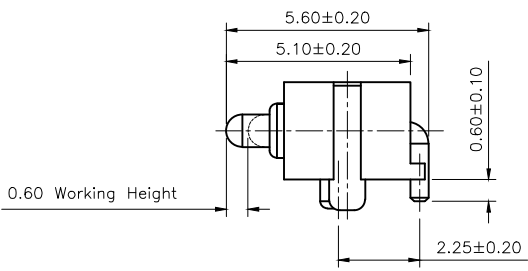
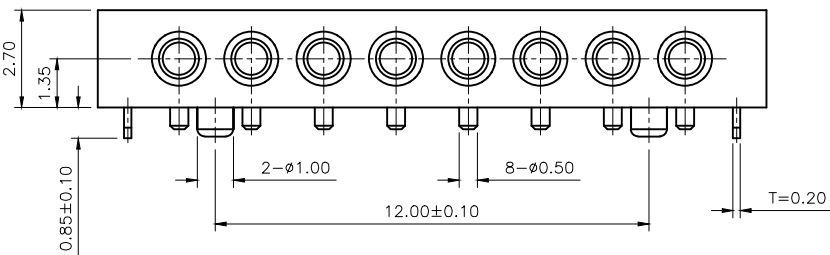
Date

Signature

NO.	Part Name	Q'TY	Material	Plated surface
1	Plunger	8	Brass	Au 3u" Min. Over 50~120u" Ni
2	Barrel	8	Brass	Au 3u" Min. Over 50~120u" Ni
3	Spring	8	SUS 304	N/A
4	Housing	1	HTN	Black,UL94V-0
5	Latch	1	SPCC	Sn 80u" Min. Over 50u" Ni. Min



- NOTES:**
- Electrical
    - .Rated Current & Voltage : DC 12 V ; 2.0 A
    - .Contact Resistance: 30 mohm maximum at Working Height(Quiescence)
  - Mechanical
    - .Full store: 1.20 mm
    - .Spring Force : 90gf±20gf at Working Height
    - .Durability:10,000 cycles(minimum)
  - Environmental
    - .Operating Temperature: -40°C~+85°C
    - .Humidity Range: 10%RH~90%RH
    - .Salt Spray: 24 Hours
  - When the current is greater than 1A then need to increase the time delay circuit(3 second)
  - To avoid arcing issue, The adaptor start to power supply after connector mated fully.
  - To ensure the best usage,please operate it based on the working height.
  - RoHs&HF compliant product.



Recommended P.C.B Layout

DRAWN	lys	DATE	2020.12.17			
CHECKED		SCALE	10:1	VER.	B.0	
APPROVED		TITLE	pogo pin connector.			Ang:
PROJECT		DRAWING NO.	C2611-08R			0 ±1°
SHEET	1 of 1	UNIT	mm			.0 ±0.5°
						.00 ±0.25°
						0 ±0.15
						.0 ±0.10
						.00 ±0.05

VER.	DESCRIPTION	ECN NO.	DATE