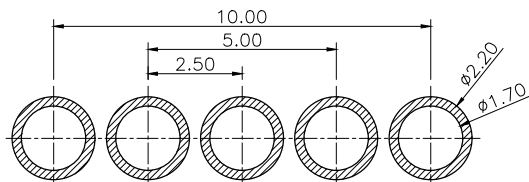
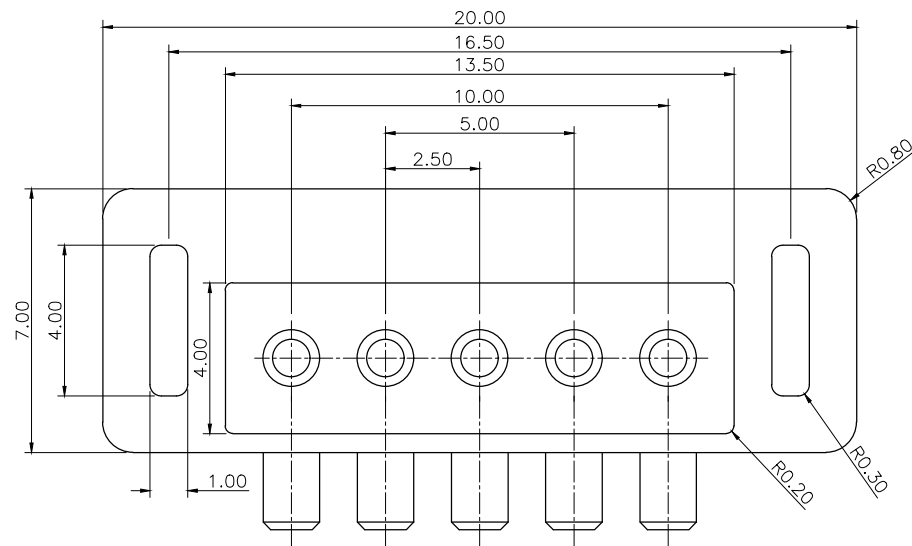
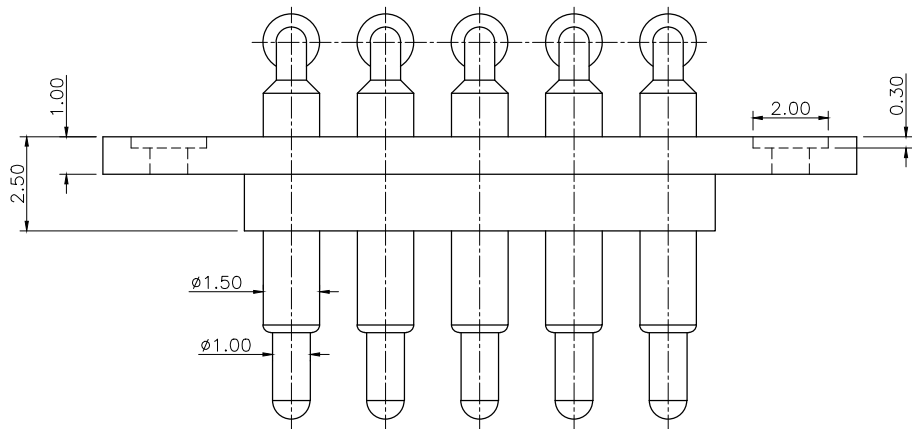


Please Approve this Drawing

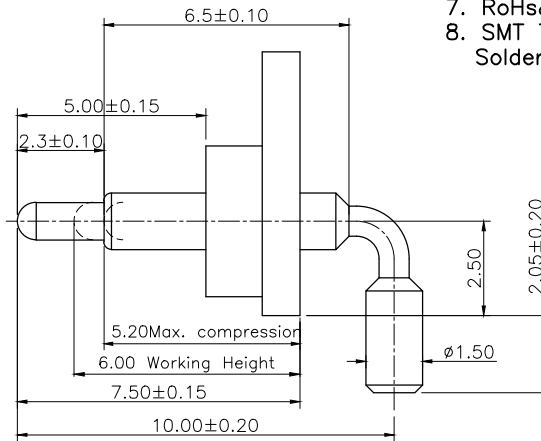
Date

Signature

NO.	Part Name	Q'TY	Material	Plated surface
1	Plunger	5	HB159	Au 5u" Min. Over 50~100u" Ni
2	Barrel	5	HB159	AU 3U" MIN OVER 50~100 U" NI
3	Spring	5	SUS304	N/A
4	Housing	1	PA46+30%GF	N/A
5				



RECOMMEND PCB LAYOUT(TOP VIEW)
Layout Tolerance: ± 0.05mm



NOTES:

- Electrical
 - .Rated Current & Voltage : DC 12 V ; 2.5A
 - .Contact Resistance:50 mohm maximum at Working Height(Quiescence)
 - .Insulation Resistance: 1000MΩ Min. at 1000VDC/Minute
 - .Dielectric Withstanding Voltage: At 500VAC/Minute No Breakdown
- Mechanical
 - .Spring Force : 100gf±20gf at Working Height
 - .Durability:100,000 cycles(minimum)
- Environmental
 - .Operating Temperature: -20°C~+70°C
 - .Humidity Range: 10%RH~90%RH
 - .Salt Spray: 48 Hours
- When the current is greater than 1A then need to increase the time delay circuit(3 second)
- To avoid arcing issue, The adaptor start to power supply after connector mated fully.
- To ensure the best usage,please operate it based on the working height.
- RoHs&HF compliant product.
- SMT Temperature: 265°C±5°, 2±0.5S
Soldering Temperature: 280°C±5°, 10±1S

DRAWN	LX	DATE	2021.08.25		
CHECKED		SCALE	10:1	VER.	B.0
APPROVED		TITLE	5PIN-iData		
PROJECT		DRAWING NO.	NC1429-05PB		
SHEET	1 of 1	UNIT	mm		

Proma Dongguan Promax Electronics Technology Co., Ltd

Ang:	Dim:
0 ±1°	0 ±0.15
.0 ±0.5°	.0 ±0.10
.00 ±0.25°	.00 ±0.05

VER.	DESCRIPTION	ECN NO.	DATE