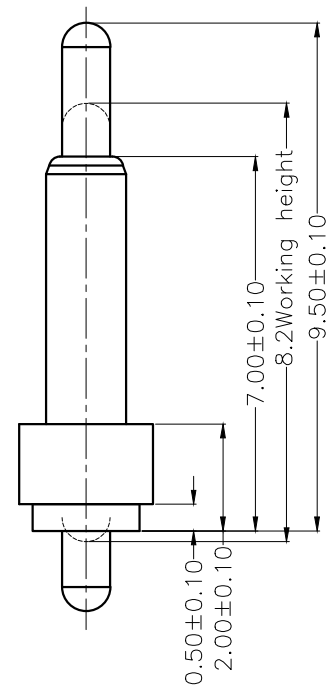
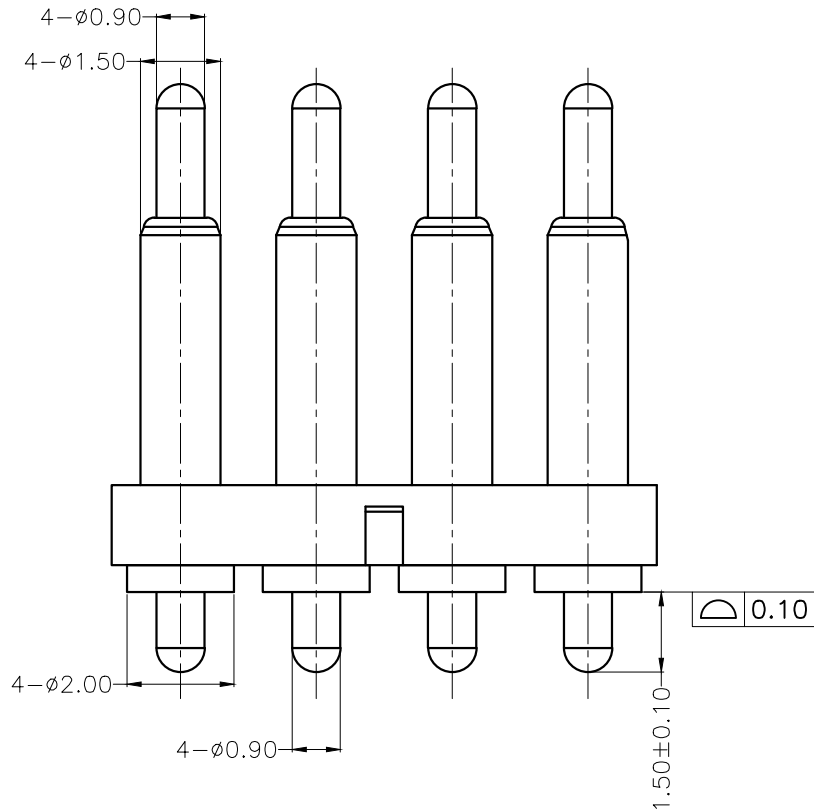
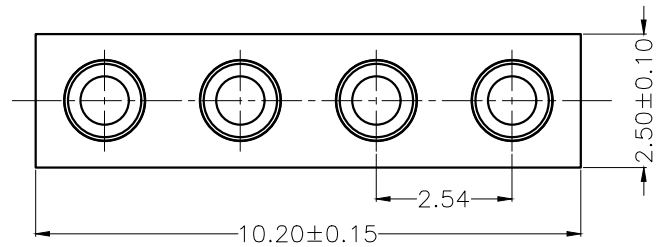


Please Approve this Drawing

Date

Signature



NO.	Part Name	Q'TY	Material	Plated surface
1	Plunger	4	HB159	Au 3u" Min. Over 50~120u" Ni
2	Barrel	4	HB159	Au 3u" Min. Over 50~120u" Ni
3	Spring	4	SUS 304	N/A
4	Housing	1	PA4T	Black,UL94V-0
5				

NOTES:

- Electrical
  - .Rated Current & Voltage : DC 12 V ; 1.5A
  - .Contact Resistance: 50 mohm maximum at Working Height(Quiescence)
  - .Insulation Resistance: 500MΩ Min. at 500VDC/Minute
  - .Dielectric Withstanding Voltage: At 500VAC/Minute No Breakdown
- Mechanical
  - .Full store: 3.0 mm
  - .Working Store: 2.80 mm
  - .Spring Force : 80±20%gf at Working Height
  - .Durability:10,000 cycles(minimum)
  - .Contact Retention Force:200gf/PIN Min.
- Environmental
  - .Operating Temperature: -25°C~+85°C
  - .Humidity Range: 10%RH~90%RH
  - .Salt Spray: 48 Hours
- When the current is greater than 1A then need to increase the time delay circuit(3 second)
- To avoid arcing issue, The adaptor start to power supply after connector mated fully.
- To ensure the best usage,please operate it based on the working height.
- RoHs&HF compliant product.
- SMT Temperature: 265°C±5°, 2±0.5S  
Soldering Temperature: 280°C±5°, 10±1S

DRAWN	Tony	DATE	2020.03.14				Dongguan Promax Electronics Technology Co., Ltd	
CHECKED		SCALE	10:1	VER.	B.0			
APPROVED		TITLE	pogo pin connector.			Ang:	Dim:	
PROJECT		DRAWING NO.	C1678-04			0 ±1°	0 ±0.15	
SHEET	1 of 1	UNIT	mm			.0 ±0.5°	.0 ±0.10	
						.00 ±0.25°	.00 ±0.05	

VER.	DESCRIPTION	ECN NO.	DATE