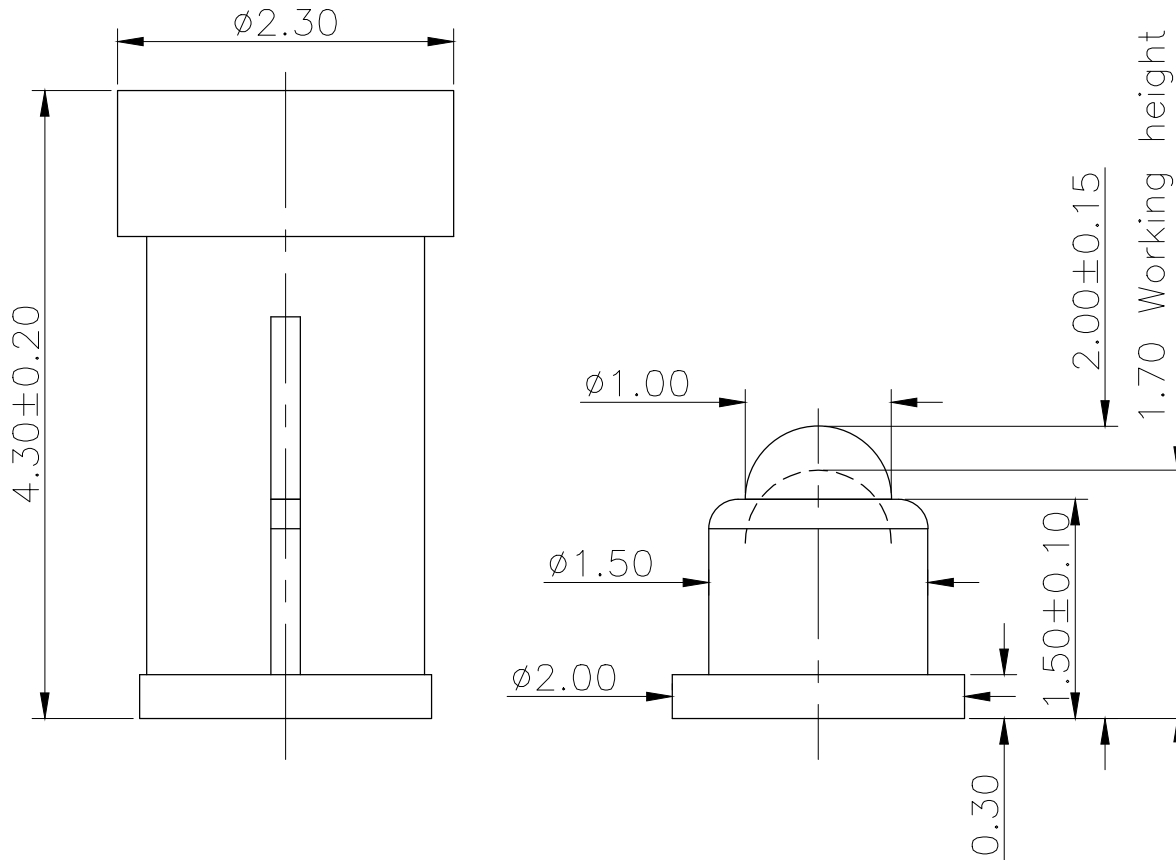


| | |
|-----------------------------|--|
| Please Approve this Drawing | |
| Date | |
| Signature | |



| NO. | Part Name | Q'TY | Material | Plated surface |
|-----|-----------|------|--------------------|--------------------------------|
| 1 | Plunger | 1 | Brass | Au 5 u" Min. OVER 50~120 U" NI |
| 2 | Barrel | 1 | Brass | Au 5 u" Min. OVER 50~120 U" NI |
| 3 | Spring | 1 | SUS 304 | / |
| 4 | CAP | 1 | High temp.Plastic; | UL94 V-0 Color Black |
| 5 | | | | |

NOTES:

- Electrical
 - .Rated Current & Voltage : DC 12 V ; 1.0A
 - .Contact Resistance: 50 mohm maximum at Working Height(Quiescence)
- Mechanical
 - .Full store: 0.40 mm
 - .Spring Force : 80g \pm 20%g at Working Height
 - .Durability:10,000 cycles(minimum)
- Environmental
 - .Operating Temperature: $-45^{\circ}\text{C} \sim +85^{\circ}\text{C}$
 - .Humidity Range: 10%RH~90%RH
- When the current is greater than 1A then need to increase the time delay circuit(3 second)
- To avoid arcing issue, The adaptor start to power supply after connector mated fully.
- To ensure the best usage, please operate it based on the working height.
- .RoHs&HF compliant product.

| | | | | | | | | |
|----------|--------|-------------|-------------|------|-----|------------------------|---|--|
| DRAWN | Kevin | DATE | 2021.05.22 | | | | Dongguan Promax Electronics Technology Co., Ltd | |
| CHECKED | | SCALE | 10:1 | VER. | B.1 | | | |
| APPROVED | | TITLE | pogo pin | | | Ang: | Dim: | |
| PROJECT | | DRAWING NO. | NC2746-01RA | | | 0 $\pm 1^{\circ}$ | 0 ± 0.15 | |
| SHEET | 1 of 1 | UNIT | mm | | | .0 $\pm 0.5^{\circ}$ | .0 ± 0.10 | |
| | | | | | | .00 $\pm 0.25^{\circ}$ | .00 ± 0.05 | |

| | | | |
|------|-------------|---------|----------|
| B.1 | 5 | | 20210522 |
| VER. | DESCRIPTION | ECN NO. | DATE |