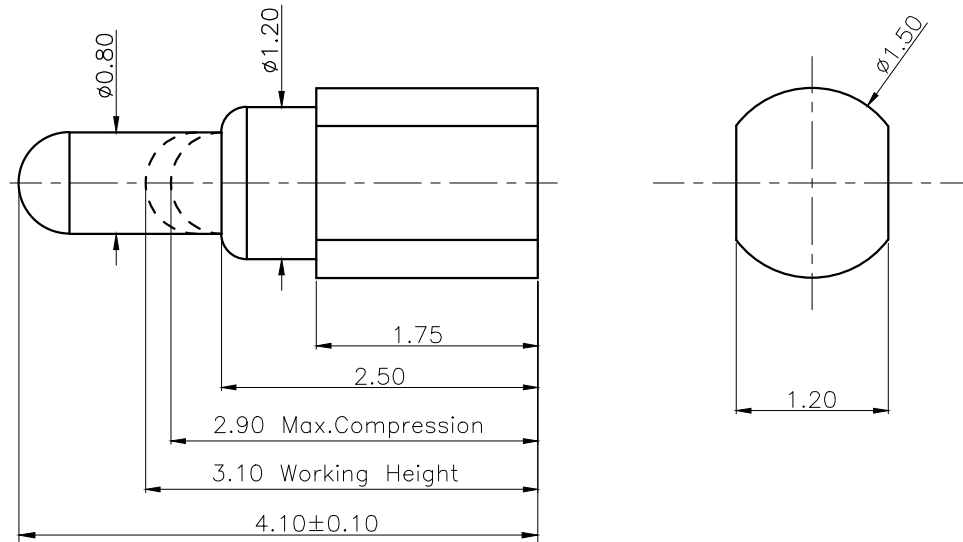


Please Approve this Drawing	
Date	
Signature	

NO.	Part Name	Q'TY	Material	Plated surface
1	Plunger	1	HBI59	Au 5u" Min. OVER 20~100 U" NI
2	Barrel	1	HBI59	Au 5u" Min. OVER 20~100 U" NI
3	Spring	1	SUS 304	N/A
4	CAP	1	High temp.Plastic; UL94 V-0 Color Black	



NOTES:

- Electrical
  - .Rated Current & Voltage : DC 12 V ; 1.0A
  - .Contact Resistance: 100 mohm maximum at Working Height(Quiescence)
- Mechanical
  - .Full store: 1.20 mm
  - .Spring Force : 45g $\pm$ 10g at Working Height
  - .Durability:10,000 cycles(minimum)
- Environmental
  - .Operating Temperature:  $-20^{\circ}\text{C} \sim +60^{\circ}\text{C}$
  - .Humidity Range: 10%RH~90%RH
  - .Salt Spray: 48 Hours
- When the current is greater than 1A then need to increase the time delay circuit(3 second)
- To avoid arcing issue, The adaptor start to power supply after connector mated fully.
- To ensure the best usage, please operate it based on the working height.
- .RoHs&HF compliant product.

DRAWN	LX	DATE	2021.03.23				Dongguan Promax Electronics Technology Co., Ltd	
CHECKED		SCALE	10:1	VER.	B.0			
APPROVED		TITLE	pogo pin connector.			Ang:	Dim:	
PROJECT		DRAWING NO.	NC3010-01A			0 $\pm 1^{\circ}$	0 $\pm 0.15$	
SHEET	1 of 1	UNIT	mm			.0 $\pm 0.5^{\circ}$	.0 $\pm 0.10$	
						.00 $\pm 0.25^{\circ}$	.00 $\pm 0.05$	

VER.	DESCRIPTION	ECN NO.	DATE