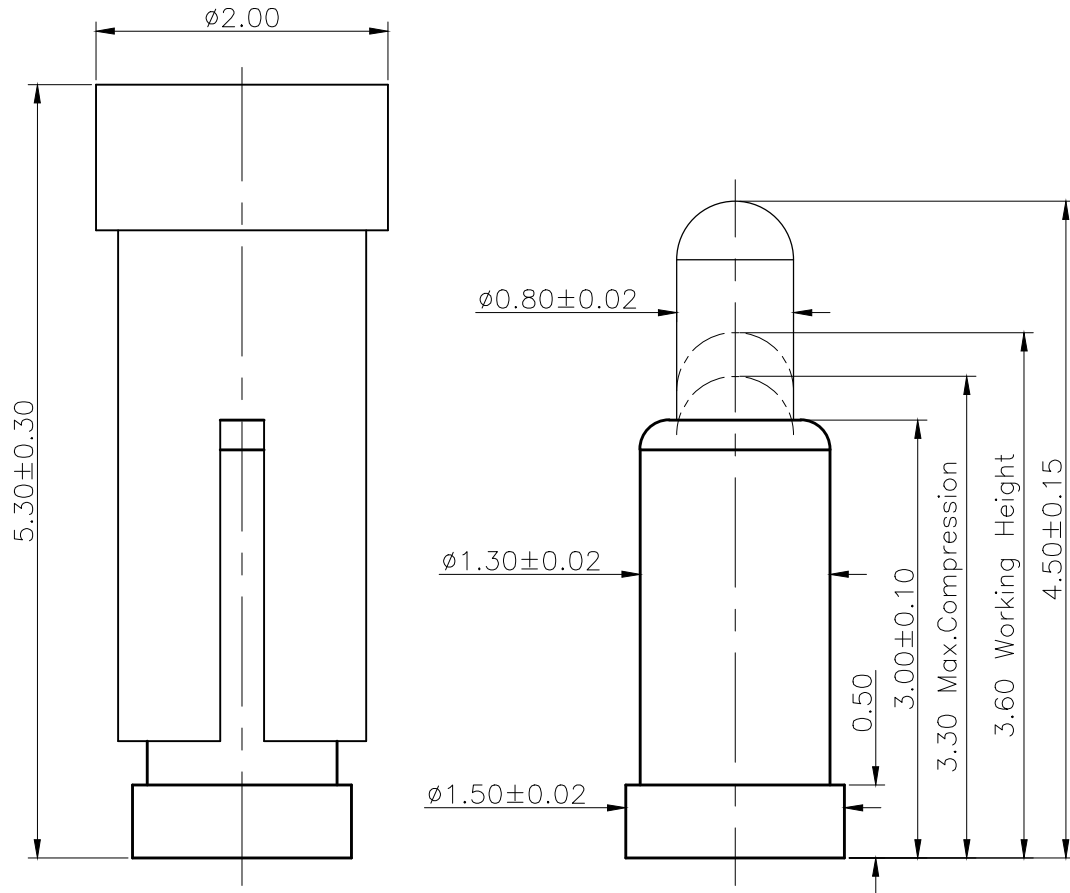


Please Approve this Drawing

Date

Signature

NO.	Part Name	Q'TY	Material	Plated surface
1	Plunger	1	Brass	Au 5u" Min. OVER 50~120 U" NI
2	Barrel	1	Brass	Au 5u" Min. OVER 50~120 U" NI
3	Spring	1	SUS 304	Au 1u" Min.
4	CAP	1	High temp.Plastic; UL94 V-0 Color Black	



NOTES:

- Electrical
 - .Rated Current & Voltage : DC 12 V ; 1A
 - .Contact Resistance: 80 mohm maximum at Working Height(Quiescence)
- Mechanical
 - .Full store: 1.20 mm
 - .Spring Force : 40g±15g at Normal Working Height
 - .Durability:10,000 cycles(minimum)
- Environmental
 - .Operating Temperature: $-40^{\circ}\text{C} \sim +85^{\circ}\text{C}$
 - .Humidity Range: 10%RH~90%RH
 - .Salt Spray: 48 Hours
- When the current is greater than 1A then need to increase the time delay circuit(3 second)
- To avoid arcing issue, The adaptor start to power supply after connector mated fully.
- To ensure the best usage, please operate it based on the working height.
- .RoHs&HF compliant product.

DRAWN	lys	DATE	2021.05.14			Dongguan Promax Electronics Technology Co., Ltd		
CHECKED		SCALE	10:1	VER. B.0		Ang:	Dim:	
APPROVED		TITLE	pogo pin connector.		0	$\pm 1^{\circ}$	0	± 0.15
PROJECT		DRAWING NO.	NC3273-01RA		.0	$\pm 0.5^{\circ}$.0	± 0.10
SHEET	1 of 1	UNIT	mm		.00	$\pm 0.25^{\circ}$.00	± 0.05

VER.	DESCRIPTION	ECN NO.	DATE