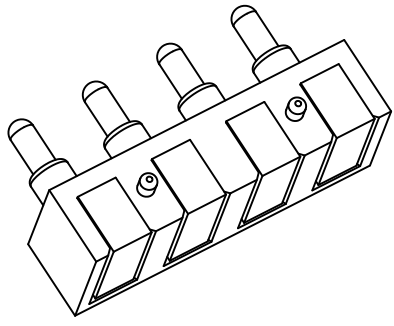
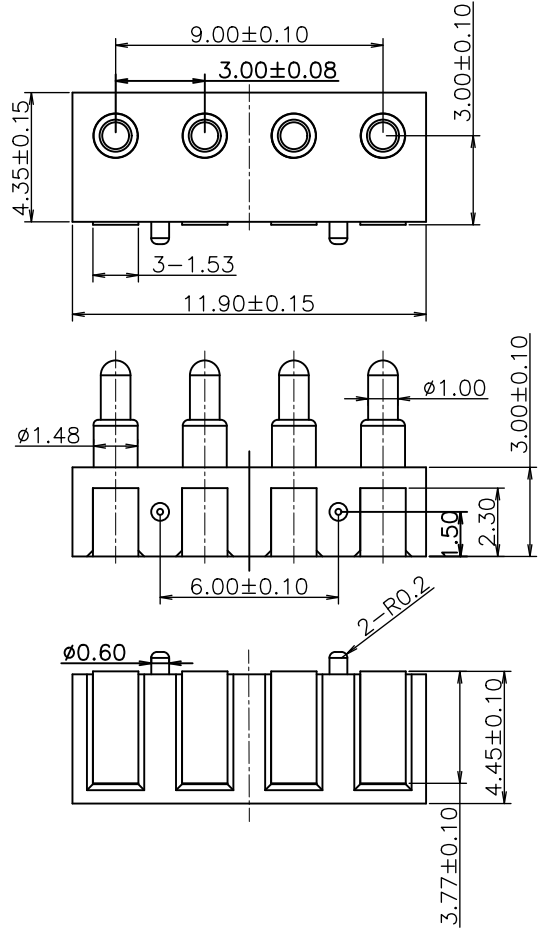


Please Approve this Drawing

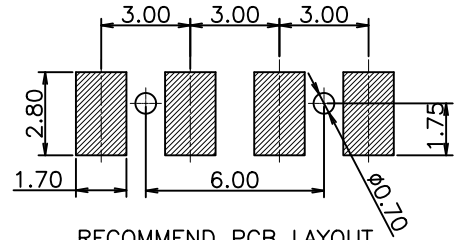
Date

Signature

NO.	Part Name	Q'TY	Material	Plated surface
1	Plunger	4	HBI59	Au 10u" Min. OVER 50U~120" Ni
2	Barrel	4	HBI59	Au 10u" Min. OVER 50U~120" Ni
3	Spring	4	SUS304	/
4	Housing	1	HTN; UL94 V-0 Color Black	
5				



- NOTES:
- Electrical
    - .Rated Current & Voltage : DC 130 V ; 1.0A Max.
    - .Contact Resistance: 50 mohm maximum at Working Height(Quiescence)
  - Mechanical
    - .Full store: 1.90 mm
    - .Spring Force :90±15g at Working Height
    - .Durability:10,000 cycles(minimum)
  - Environmental
    - .Operating Temperature: -40°C~+85°C
    - .Humidity Range: 10%RH~90%RH
    - .Salt Spray: 48 Hours
  - When the current is greater than 1A then need to increase the time delay circuit(3 second)
  - To avoid arcing issue, The adaptor start to power supply after connector mated fully.
  - To ensure the best usage,please operate it based on the working height.
  - .RoHs&HF compliant product.



VER.	DESCRIPTION	ECN NO.	DATE

DRAWN	Kevin	DATE	2021.09.22			Dongguan Promax Electronics Technology Co., Ltd	
CHECKED		SCALE	10:1	VER. A.0		Ang:	Dim:
APPROVED		TITLE	pogo pin connector.		0 ±1°	0 ±0.20	
PROJECT		DRAWING NO.	NC3872-04RA		.0 ±0.5°	.0 ±0.15	
SHEET	1 of 1	UNIT	mm		.00 ±0.25°	.00 ±0.10	