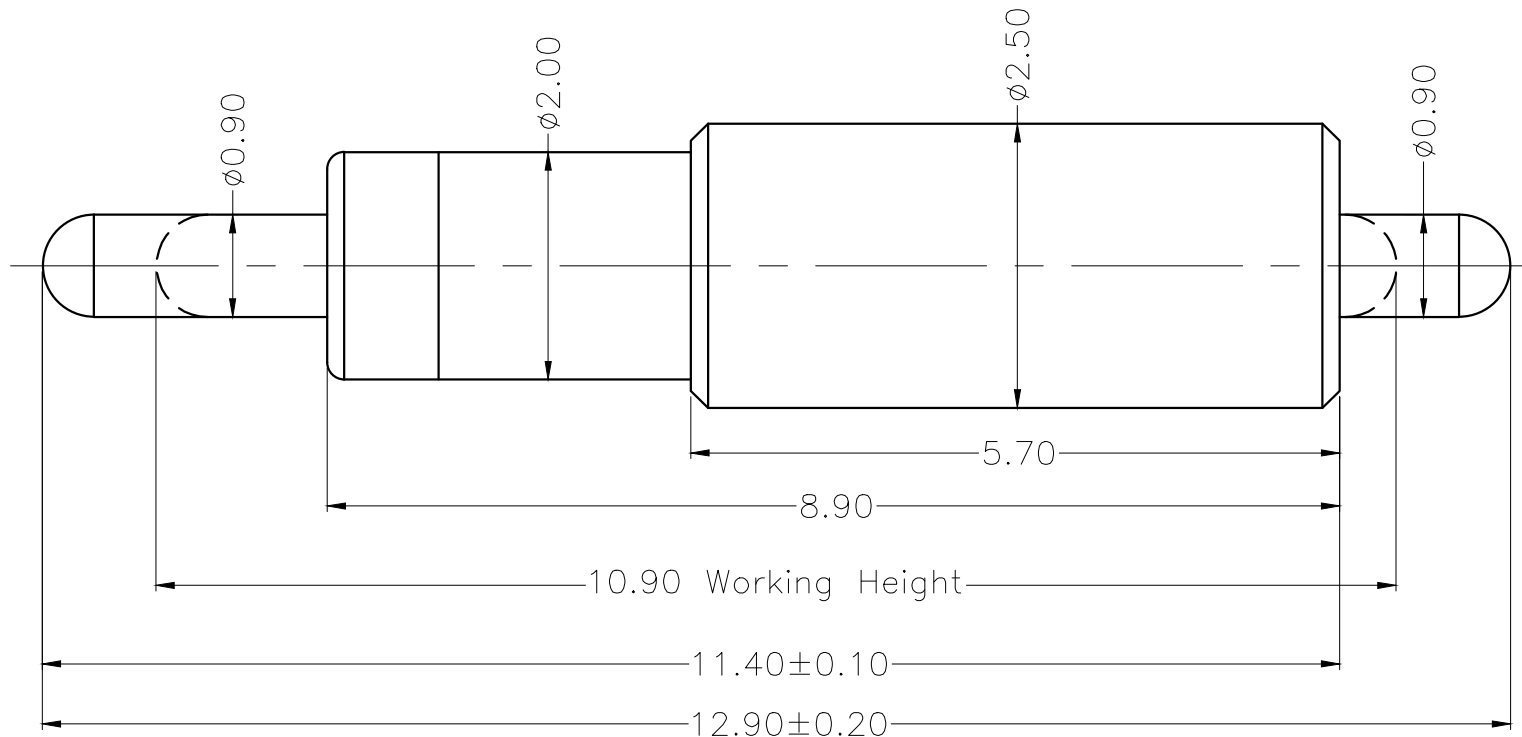


Please Approve this Drawing

Date

Signature

NO.	Part Name	Q'TY	Material	Plated surface
1	Plunger	2	HB159	AU 3 U" MIN OVER 50~120 U" NI
2	Barrel	1	HB159	AU 3 U" MIN OVER 50~120 U" NI
3	Spring	1	SUS304	Not Plated
4				



NOTES:

- Electrical
  - .Rated Current & Voltage : DC 9 V ; 2.0A
  - .Contact Resistance: 50 mohm maximum at Working Height(Quiescence)
- Mechanical
  - .Full store: 3.0 mm
  - .Working Store: 2.0 mm
  - .Spring Force: 60gf±15gf at Normal Working Height
  - .Durability:10,000 cycles(minimum)
- Environmental
  - .Operating Temperature: -25°C~+85°C
  - .Humidity Range: 10%RH~90%RH
  - .Salt Spray: 48 Hours
- Part To Be Free Form Manufacturing Lubricants.
- When the current is greater than 1A then need to increase the time delay circuit(3 second)
- To avoid arcing issue, The adaptor start to power supply after connector mated fully.
- To ensure the best usage,please operate it based on the working height.
- .RoHs&HF compliant product.

DRAWN	Kevin	DATE	2021.09.28				Dongguan Promax Electronics Technology Co., Ltd	
CHECKED		SCALE	10:1	VER.	A.0			
APPROVED		TITLE	pogo pin connector.			Ang:	Dim:	
PROJECT		DRAWING NO.	NC3898-01PA			0 ±1°	0 ±0.15	
SHEET	1 of 1	UNIT	mm			.0 ±0.5°	.0 ±0.10	
					.00 ±0.25°	.00 ±0.05		

VER.	DESCRIPTION	ECN NO.	DATE