

Please Approve this Drawing

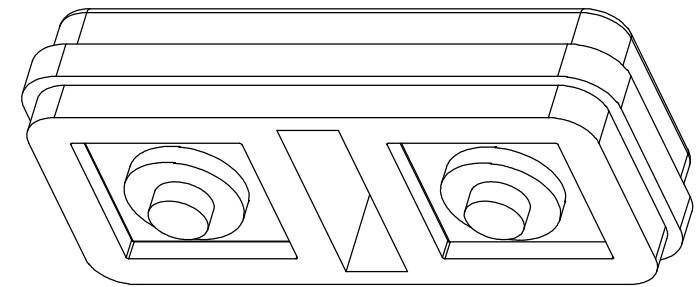
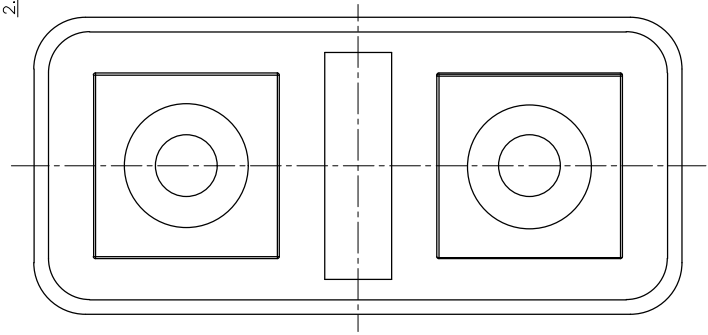
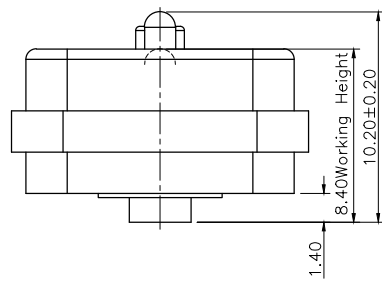
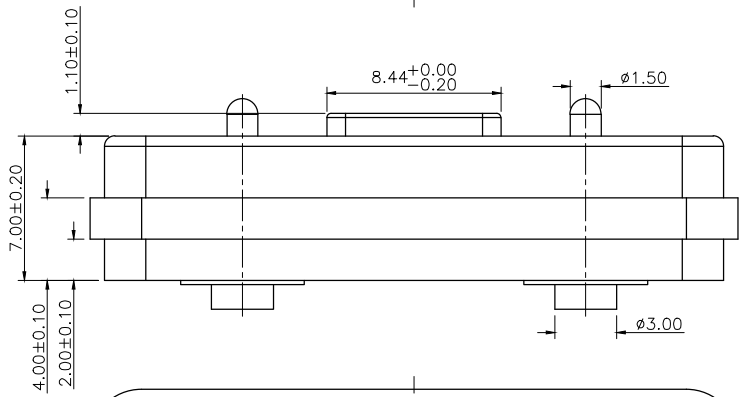
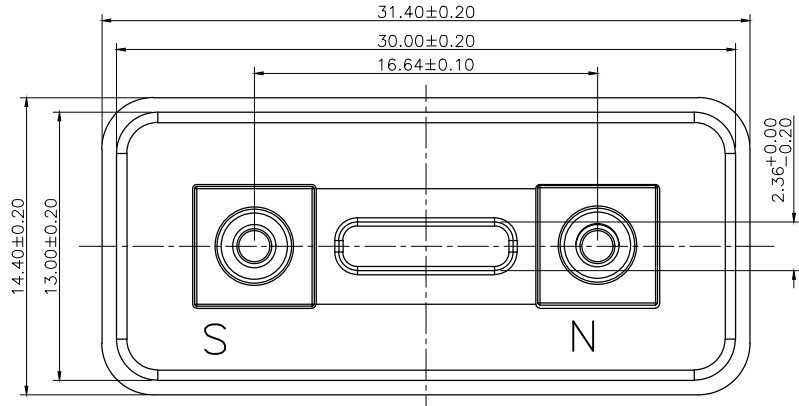
Date

Signature

NO.	Part Name	Q'TY	Material	Plated surface
1	Plunger	2	HBI59	Au 5u" Min. Over 50u" Min. Ni
2	Barrel	2	HBI59	Au 3u" Min. Over 50u" Min. Ni
3	Spring	2	SUS304	/
4	Housing	1	High temp.Plastic; UL94 V-0 Color Black	
5	Magnet	2	N52	Plating Ni

NOTES:

- Electrical
 - .Rated Current & Voltage : DC 20 V ; 3.0A Max.
 - .Contact Resistance: 30 mohm maximum at Working Height(Quiescence)
- Mechanical
 - .Full store: 2.00 mm
 - .Working Store: 1.80 mm
 - .Spring Force: 140±20%gf at Working Height
 - .Durability:10,000 cycles(minimum)
- Environmental
 - .Operating Temperature: -20°C~+50°C
 - .Humidity Range: 10%RH~90%RH
 - .Salt Spray: 48 Hours
- When the current is greater than 1A then need to increase the time delay circuit(3 second)
- To avoid arcing issue, The adaptor start to power supply after connector mated fully.
- To ensure the best usage,please operate it based on the working height.
- .RoHs&HF compliant product.



VER.	DESCRIPTION	ECN NO.	DATE

DRAWN	lys	DATE	2021.10.21			Dongguan Promax Electronics Technology Co., Ltd	
CHECKED		SCALE	10:1	VER. A.0		Ang:	Dim:
APPROVED		TITLE	pogo pin connector.		0 ±1°	0 ±0.20	
PROJECT		DRAWING NO.	NC3926-02PA		.0 ±0.5°	.0 ±0.15	
SHEET	1 of 1	UNIT	mm		.00 ±0.25°	.00 ±0.10	