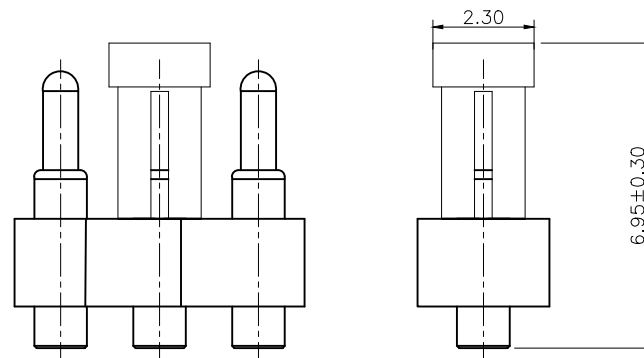
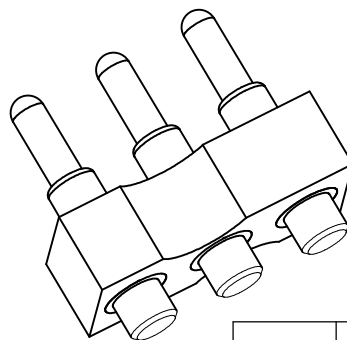
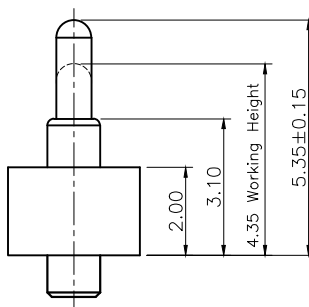
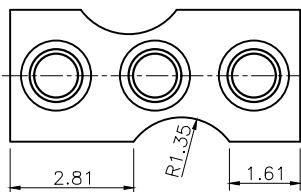
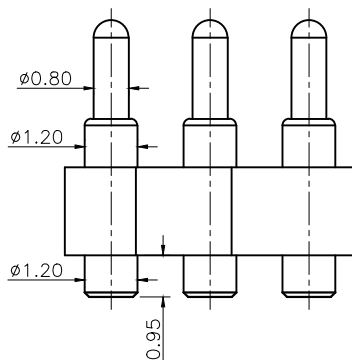
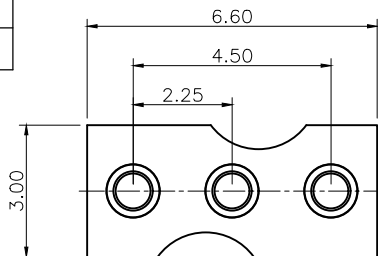


Please Approve this Drawing

Date	
Signature	



NO.	Part Name	Q'TY	Material	Plated surface
1	Plunger	3	HBi59	AP2 SILVER
2	Barrel	3	HBi59	Au 50u" Min. OVER 50U~120" Ni
3	Spring	3	SUS304	/
4	Housing	1	High temp.Plastic; UL94 V-0	Color Black
5	Cap	1	High temp.Plastic; UL94 V-0	Color Black

NOTES:

- Electrical
 - .Rated Current & Voltage : DC 20 V ; 1.0A
 - .Contact Resistance: 30 mohm maximum at Working Height(Quiescence)
- Mechanical
 - .Full store: 1.10 mm
 - .Spring Force: 85gf±15gf at Working Height
 - .Durability:30000 cycles(minimum)
- Environmental
 - .Operating Temperature: -40°C~+85°C
 - .Humidity Range: 10%RH~90%RH
 - .Salt Spray: 72 Hours, 72H
- When the current is greater than 1A then need to increase the time delay circuit(3 second)
- To avoid arcing issue, The adaptor start to power supply after connector mated fully.
- To ensure the best usage,please operate it based on the working height.
- .RoHs&HF compliant product.

DRAWN	Kevin	DATE	2021.10.18			
CHECKED		SCALE	10:1	VER. A.0		
APPROVED		TITLE	pogo pin		Ang:	
PROJECT		DRAWING NO.	NC3968-03RA		0 ±1°	0 ±0.25
SHEET	1 of 1	UNIT	mm		.0 ±0.5°	.0 ±0.20
					.00 ±0.25°	.00 ±0.10

VER.	DESCRIPTION	ECN NO.	DATE