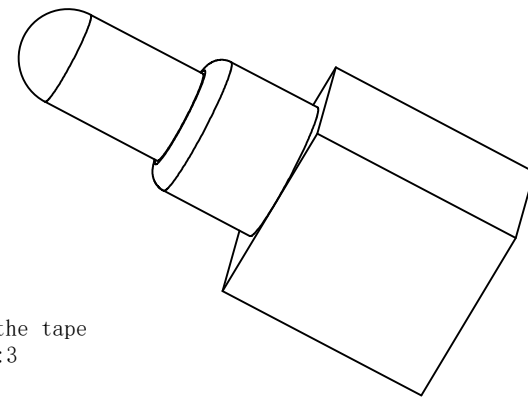
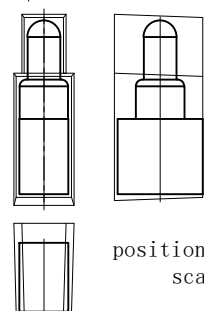
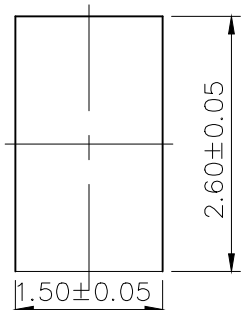
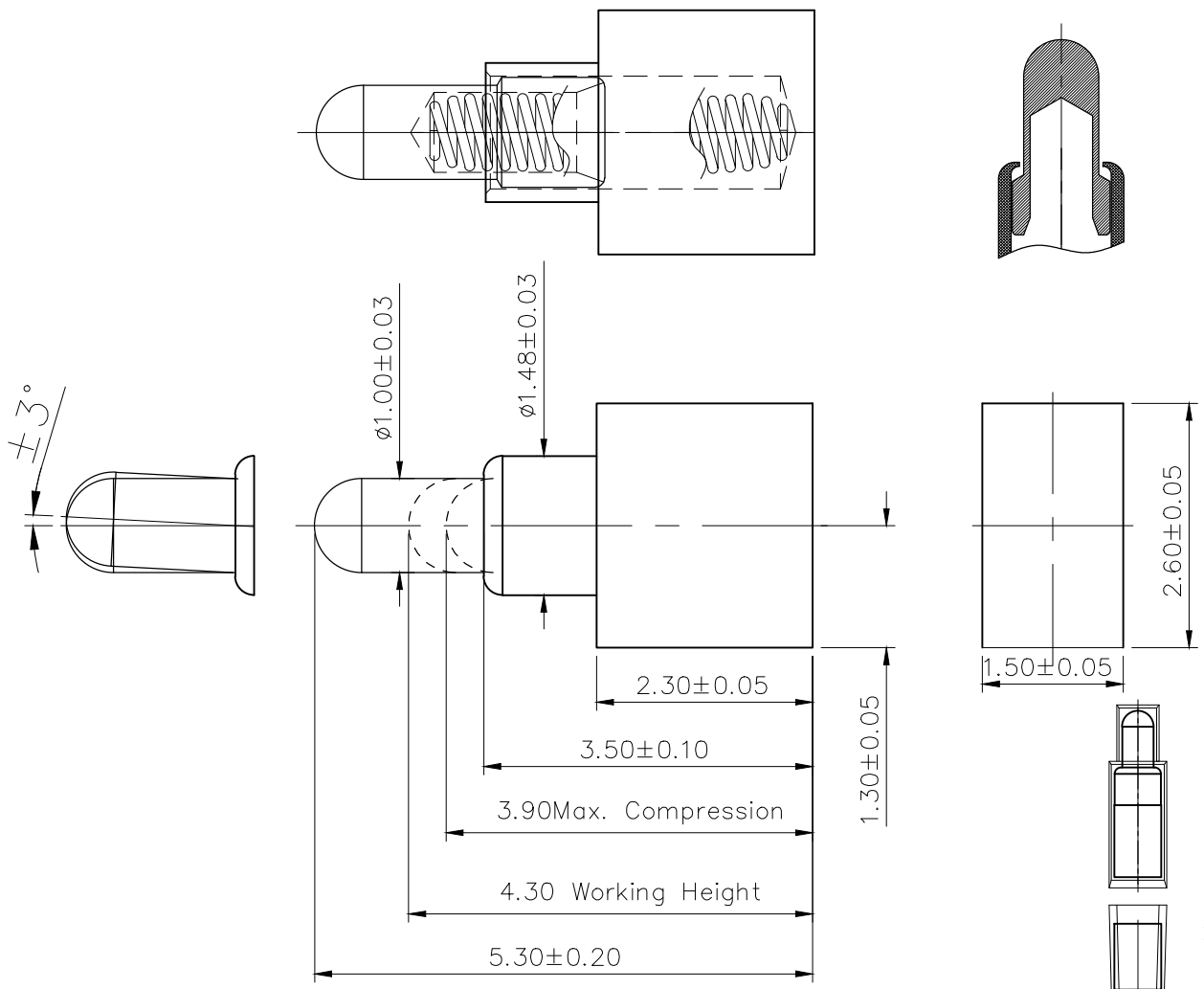


NO.	Part Name	Q'TY	Material	Plated surface
1	Plunger	1	HB159	Au 10u" Min. Over 50~120u" Ni
2	Barrel	1	HB159	Au 10u" Min. Over 50~120u" Ni
3	Spring	1	SUS304	N/A
4				
5				
6				

NOTES:

- Electrical
 - .Rated Current & Voltage : DC 12V ; 1.0A Max.
 - .Contact Resistance: 50 mohm maximum at Working Height(Quiescence)
- Mechanical
 - .Full store: 1.40 mm
 - .Spring Force :120±20%gf at Working Height
 - .Durability:10,000 cycles(minimum)
- Environmental
 - .Operating Temperature: -40°C~+85°C
 - .Humidity Range: 10%RH~90%RH
 - .Salt Spray: 48 Hours
- When the current is greater than 1A then need to increase the time delay circuit(3 second)
- To avoid arcing issue, The adaptor start to power supply after connector mated fully.
- To ensure the best usage,please operate it based on the working height.
- .RoHs&HF compliant product.



VER.	DESCRIPTION	ECN NO.	DATE

DRAWN	Kevin	DATE	2022.02.25				Dongguan Promax Electronics Technology Co., Ltd	
CHECKED		SCALE	10:1	VER.	A.0			
APPROVED		TITLE	pogo pin			Ang:	Dim:	
PROJECT		DRAWING NO.	NC4425-01PA			0 ±1°	0 ±0.15	
SHEET	1 of 1	UNIT	mm			.0 ±0.5°	.0 ±0.10	
					.00 ±0.25°	.00 ±0.05		