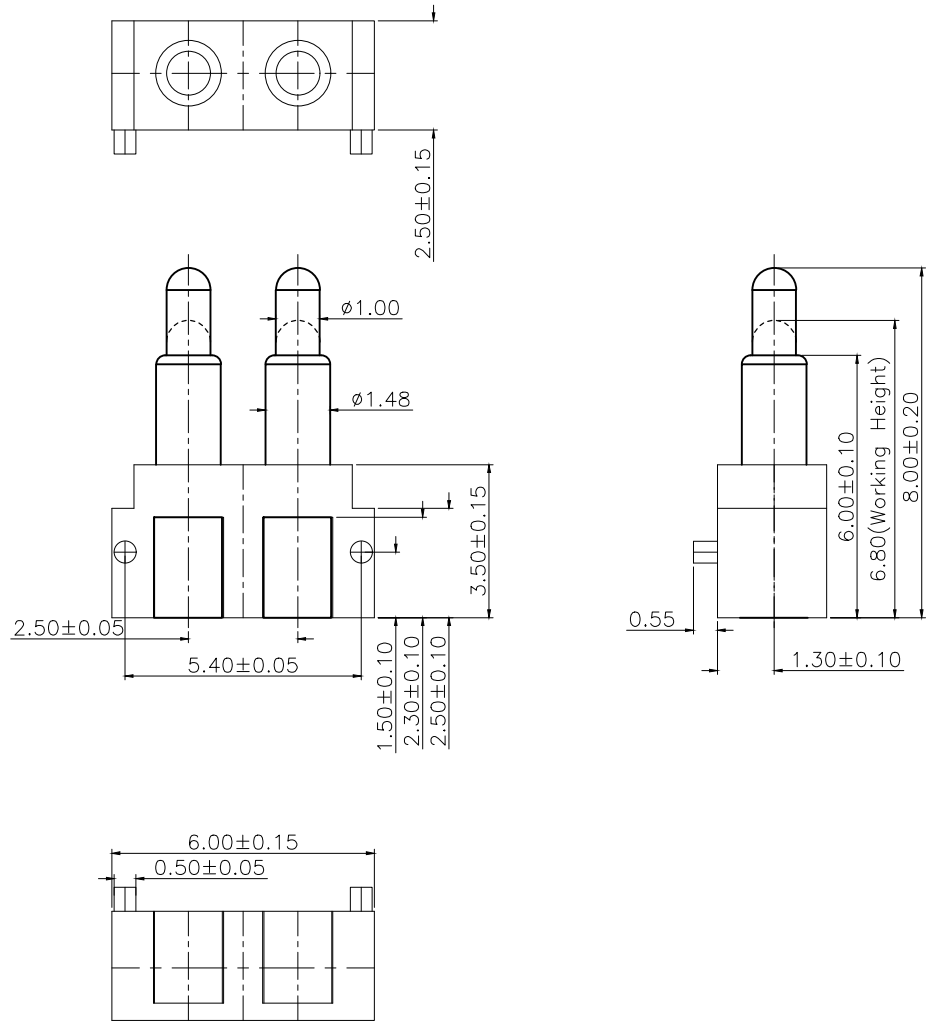


Please Approve this Drawing


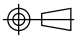
Date

Signature



NO.	Part Name	Q'TY	Material	Plated surface
1	Plunger	2	HBI59	Au 10u" Min. OVER 50U~120" Ni
2	Barrel	2	HBI59	Au 5u" Min. OVER 50U~120" Ni
3	Spring	2	SUS304	/
4	Ball	2	SUS	AU 1U" MIN OVER 50~120 U" NI
5	Housing	1	HTN; UL94 V-0	Color Black

- NOTES:
- Electrical
 - .Rated Current & Voltage : DC 5 V ; 3.0A Max.
 - .Contact Resistance: 50 mohm maximum at Working Height(Quiescence)
 - Mechanical
 - .Full store: 1.4 mm
 - .Spring Force :60±15g at Normal Working Height
 - .Durability:10,000 cycles(minimum)
 - Environmental
 - .Operating Temperature: -40°C~+85°C
 - .Humidity Range: 10%RH~90%RH
 - .Salt Spray: 12 Hours
 - To avoid arcing issue, The adaptor start to power supply after connector mated fully.
 - To ensure the best usage, please operate it based on the working height.
 - .RoHs&HF compliant product.

DRAWN	ZYH	DATE	2022.05.18			 Dongguan Promax Electronics Technology Co., Ltd
CHECKED		SCALE	10:1	VER.	A.0	
APPROVED		TITLE	pogo pin connector.			Ang:
PROJECT		DRAWING NO.	NC4687-02PA			0 ±1°
SHEET	1 of 1	UNIT	mm			.0 ±0.5°
						.00 ±0.25°
						Dim: 0 ±0.20
						.0 ±0.15
						.00 ±0.10

VER.	DESCRIPTION	ECN NO.	DATE