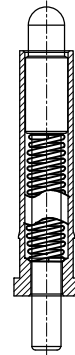
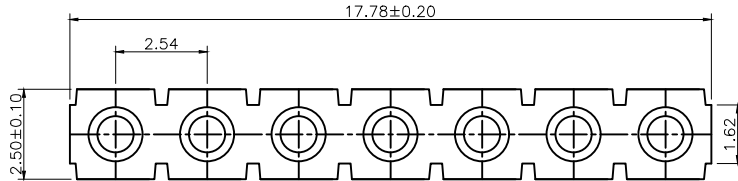
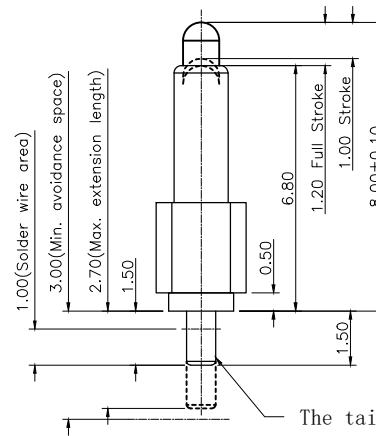
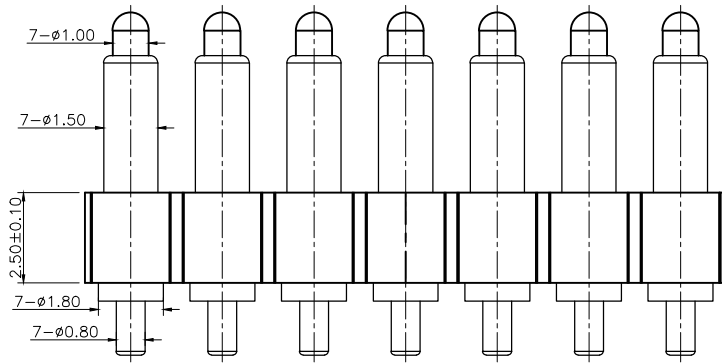


Please Approve this Drawing	
Date	
Signature	

NO.	Part Name	Q'TY	Material	Plated surface
1	Plunger	7	C14500	Au 10u" Min. over 50~120 u" Ni
2	Barrel	7	Brass	Au 10u" Min. over 50~120 u" Ni
3	Spring	7	SUS 304	N/A
4	Housing	1	High temp.Plastic; UL94 V-0	Color Black



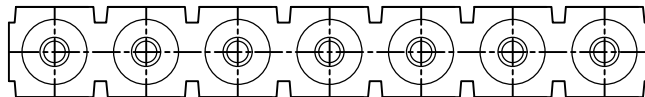
Coaxial pogo pin



The tail of plunger moves when it's in use

NOTES:

- Electrical
 - .Rated Current & Voltage : DC 12 V ; 8A,Peak12A
 - .Contact Resistance: 50 mohm maximum at Working Height(Quiescence)
- Mechanical
 - .Full stroke: 1.20 mm
 - .Spring Force : 70gf±15gf at 1.00mm Stroke
 - .Durability:10,000 cycles(minimum)
- Environmental
 - .Operating Temperature: -30°C~+85°C
 - .Humidity Range: 10%RH~90%RH
 - .Salt Spray: 48 Hours
- When the current is greater than 1A then need to increase the time delay circuit(3 second)
- To avoid arcing issue, The adaptor start to power supply after connector mated fully.
- To ensure the best usage,please operate it based on the working height.
- .RoHs&HF compliant product.



DRAWN	LX	DATE	2022.05.20			Dongguan Promax Electronics Technology Co., Ltd	
CHECKED		SCALE	10:1	VER. A.0		Ang:	Dim:
APPROVED		TITLE	pogo pin connector.		0 ±1°	0 ±0.20	
PROJECT		DRAWING NO.	NC4721-07PA		.0 ±0.5°	.0 ±0.15	
SHEET	1 of 1	UNIT	mm		.00 ±0.25°	.00 ±0.10	

VER.	DESCRIPTION	ECN NO.	DATE