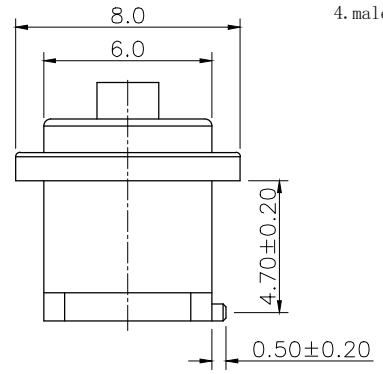
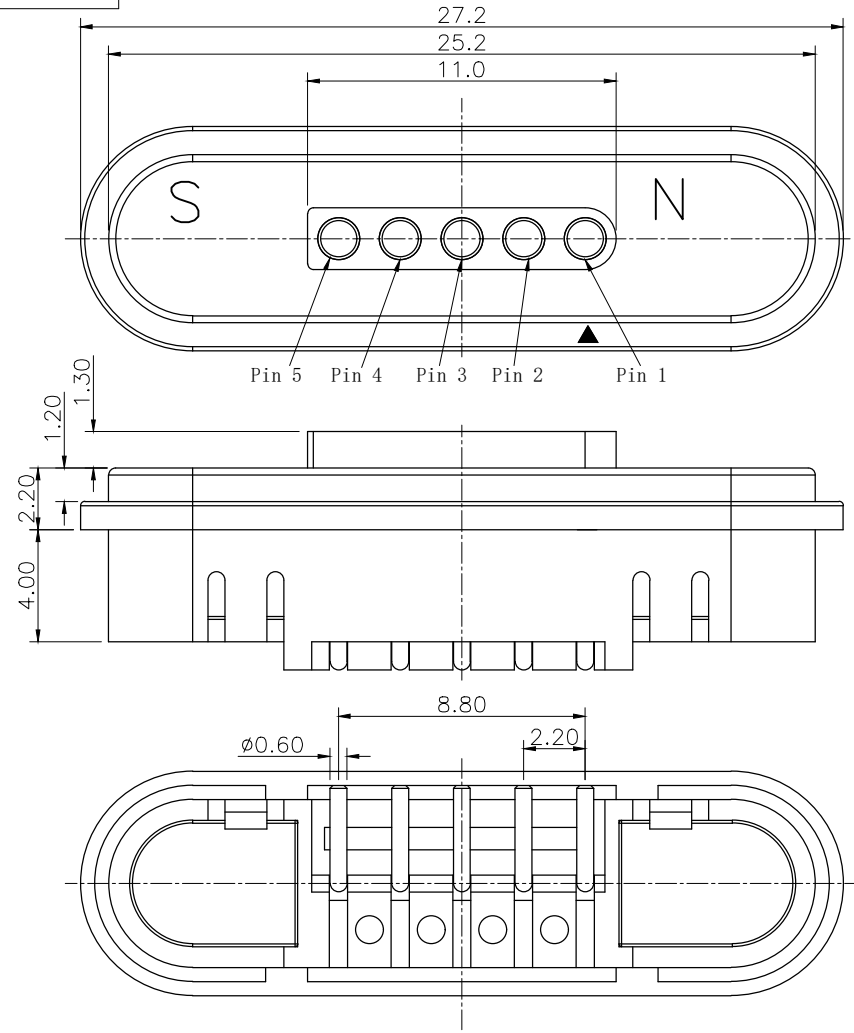


Please Approve this Drawing

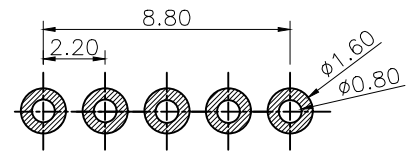
Date

Signature

NO.	Part Name	Q'TY	Material	Plated surface
1	Pin	5	HBI59	Au 5u" Min. Over 50u" Min. Ni
2	Housing	1	High temp.Plastic; UL94 V-0 Color Black	
3	Magnet	2	NdFeB N35	Plating Ni
4				
5				



- NOTES:
- Electrical
    - .Rated Current & Voltage : DC 12 V ; 1.0A
    - .Contact Resistance:50 mohm maximum at Working Height(Quiescence)
    - .Insulation Resistance: 1000M $\Omega$  Min. at 1000VDC/Minute
    - .Dielectric Withstanding Voltage: At 500VAC/Minute No Breakdown
  - Environmental
    - .Operating Temperature: -20°C~+80°C
    - .Humidity Range: 10%RH~90%RH
    - .Salt Spray: 48 Hours
  - RoHs&HF compliant product.
  - male & female  $\pm 0.15$



Recommended pcb layout  
Layout tolerance:  $\pm 0.05\text{mm}$

DRAWN	lys	DATE	2020.10.16			Dongguan Promax Electronics Technology Co., Ltd	
CHECKED		SCALE	10:1	VER. B.0			
APPROVED		TITLE	pin connector.		Ang:	Dim:	
PROJECT		DRAWING NO.	NF2347-05B		0 $\pm 1^\circ$	0 $\pm 0.20$	
SHEET	1 of 1	UNIT	mm		.0 $\pm 0.5^\circ$	.0 $\pm 0.15$	
					.00 $\pm 0.25^\circ$	.00 $\pm 0.10$	

VER.	DESCRIPTION	ECN NO.	DATE