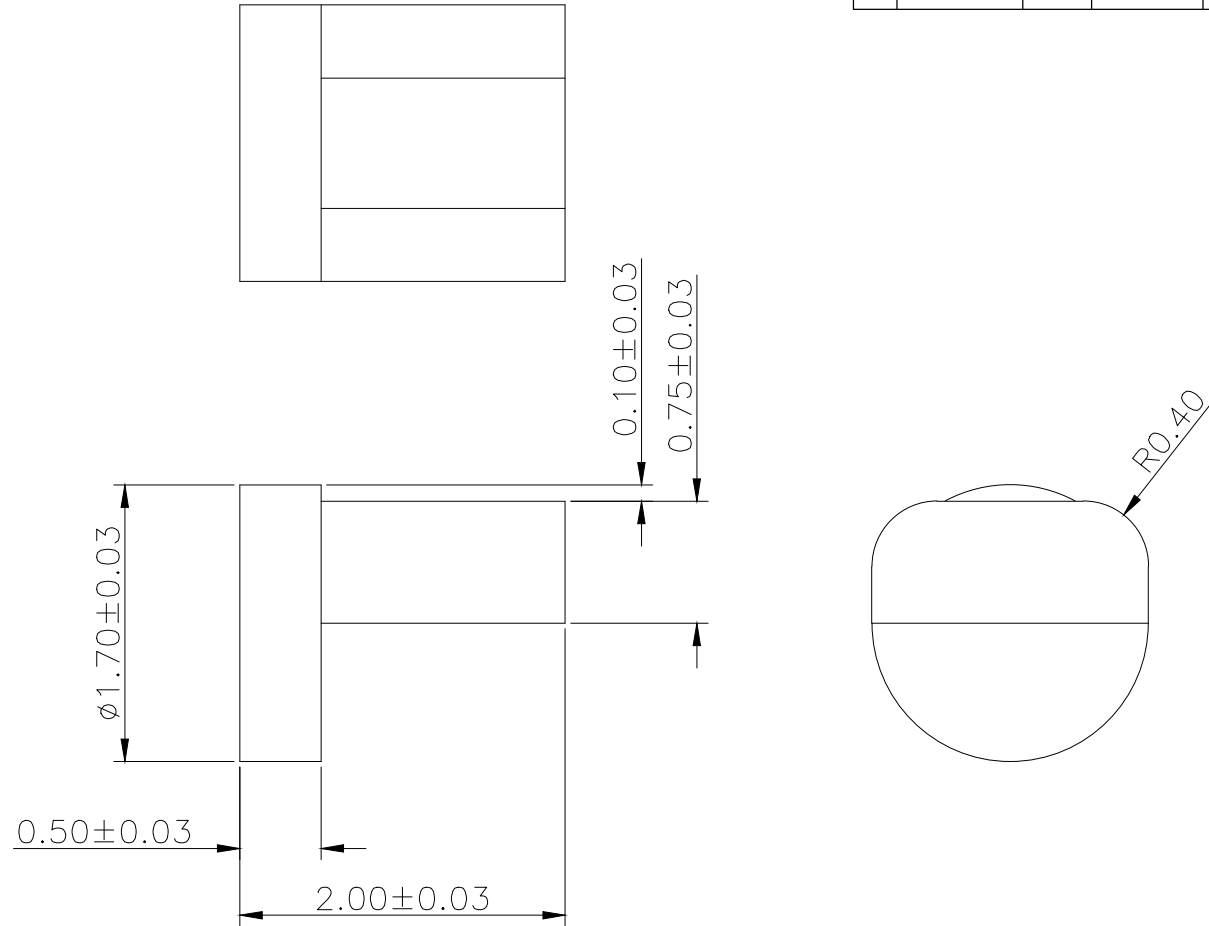
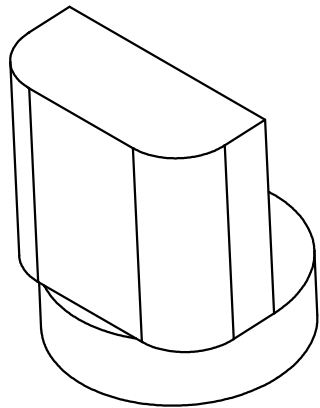



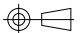
Please Approve this Drawing	
Date	
Signature	

NO.	Part Name	Q'TY	Material	Plated surface
1	Pin	1	HBI59	AU 4U" MIN OVER 50~120 U" Ni
2				
3				
4				



NOTES:

- Electrical
  - .Rated Current & Voltage : DC 12 V ; 1.0A
  - .Contact Resistance:50 mohm maximum (Quiescence)
- Environmental
  - .Operating Temperature: -30°C~+85°C
  - .Humidity Range: 10%RH~90%RH
  - .Salt Spray: 48 Hours
- RoHs&HF compliant product.

DRAWN	lys	DATE	2021.08.23			 Dongguan Promax Electronics Technology Co., Ltd
CHECKED			10:1	VER.	A.0	
APPROVED		TITLE	Pin			Ang:
PROJECT		DRAWING NO.	NF3730-01RA			0 ±1°
SHEET	1 of 1	UNIT	mm			.0 ±0.5°
						.00 ±0.25°
						Dim: 0 ±0.15
						.0 ±0.10
						.00 ±0.05