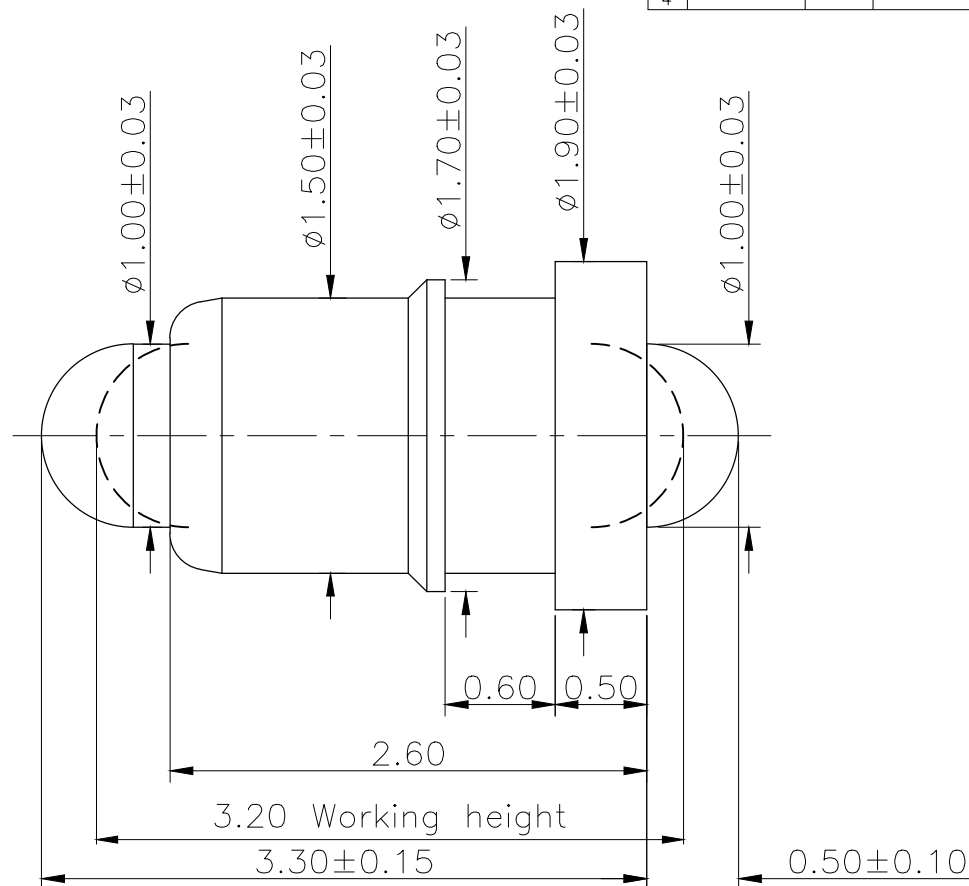


Please Approve this Drawing	
Date	
Signature	

NO.	Part Name	Q'TY	Material	Plated surface
1	Plunger	1	Brass	AU 3 U" MIN OVER 50~120 U" NI
2	Barrel	1	Brass	AU 3 U" MIN OVER 50~120 U" NI
3	Spring	1	SUS	AU 1 U" MIN OVER NI
4				



NOTES:

- Electrical
 - .Rated Current & Voltage : DC 12 V ; 1.0A Max.
 - .Contact Resistance: 30 mohm maximum at Working Height(Quiescence)
- Mechanical
 - .Full store: 1.20 mm
 - .Working Store: 0.60 mm
 - .Spring Force: 110gf \pm 22gf at Working Height
 - .Durability:10,000 cycles(minimum)
- Environmental
 - .Operating Temperature: -30°C~+85°C
 - .Humidity Range: 10%RH~90%RH
 - .Salt Spray: 48 Hours
- When the current is greater than 1A then need to increase the time delay circuit(3 second)
- To avoid arcing issue, The adaptor start to power supply after connector mated fully.
- To ensure the best usage, please operate it based on the working height.
- RoHs&HF compliant product.

DRAWN	lys	DATE	2020.04.08			Dongguan Promax Electronics Technology Co., Ltd	
CHECKED		SCALE	10:1	VER. B.0		Ang:	Dim:
APPROVED		TITLE	pogo pin		0 \pm 1°	0 \pm 0.15	
PROJECT		DRAWING NO.	C1771-01		.0 \pm 0.5°	.0 \pm 0.10	
SHEET	1 of 1	UNIT	mm		.00 \pm 0.25°	.00 \pm 0.05	

VER.	DESCRIPTION	ECN NO.	DATE