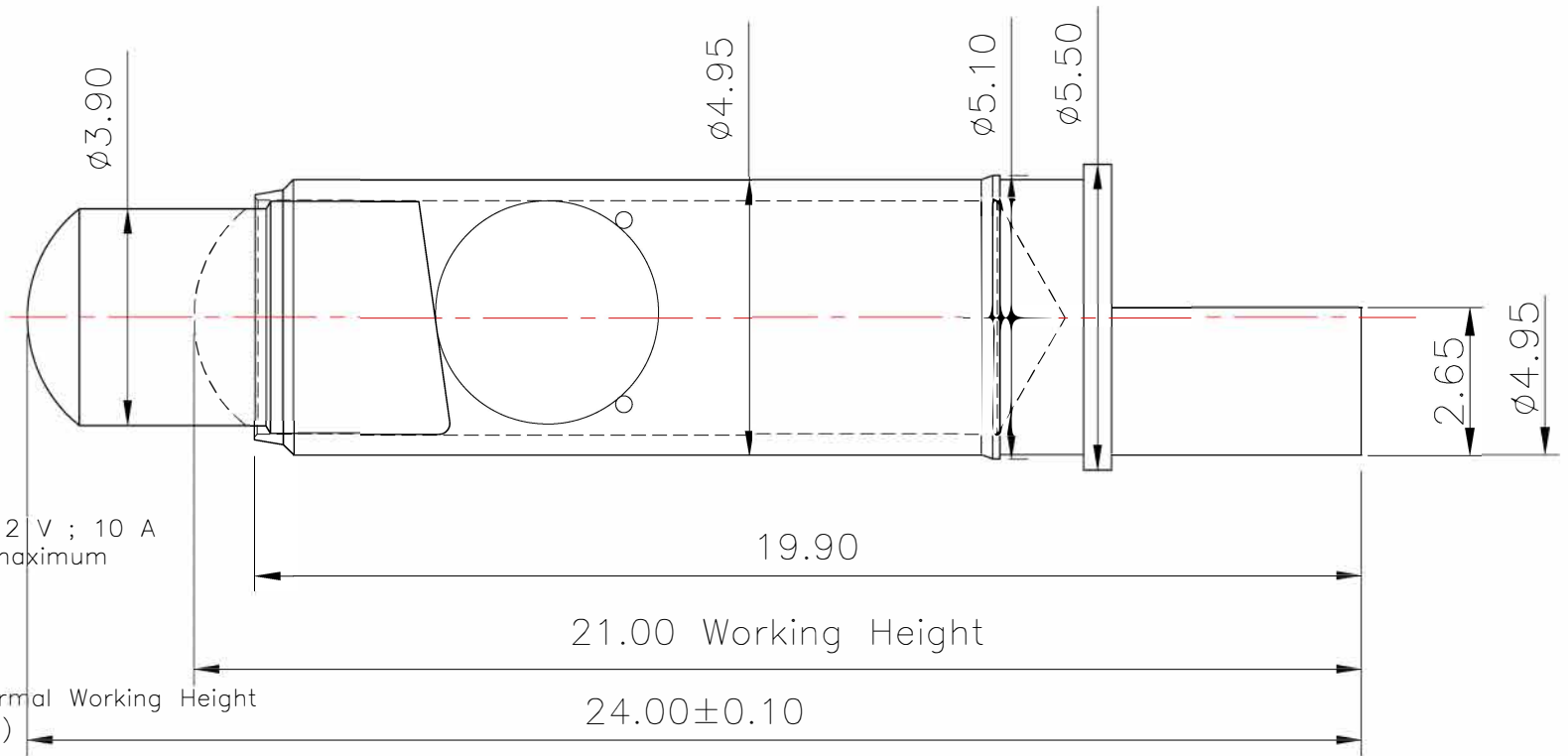


Please Approve this Drawing	
Date	
Signature	



NO.	Part Name	Q'TY	Material	Plated surface
1	Plunger	1	C3604	AU 10 U" MIN OVER 50~100 U" NI
2	Barrel	1	C3604	AU 5 U" MIN OVER 50~100 U" NI
3	Spring	1	SUS304	Not Plated
4	Insulate Ball	1	Zr	ø4.00~4.15mm



NOTES:

- Electrical
 - .Rated Current & Voltage : DC 12 V ; 10 A
 - .Contact Resistance: 30 mohm maximum at Working Height(Quiescence)
- Mechanical
 - .Full store: 4.10 mm
 - .Working Store: 3.00 mm
 - .Spring Force: 700gf±20% at Normal Working Height
 - .Durability:10,000 cycles(minimum)
- Environmental
 - .Operating Temperature: -25°C~+85°C
 - .Humidity Range: 10%RH~90%RH
 - .Salt Spray: 48 Hours
- Part To Be Free Form Manufacturing Lubricants.
- When the current is greater than 1A then need to increase the time delay circuit(3 second)
- To avoid arcing issue, The adaptor start to power supply after connector mated fully.
- To ensure the best usage, please operate it based on the working height.
- .RoHs&HF compliant product.

T700-1B

DRAWN	Roy	DATE	2017.07.04		 Dongguan Promax Electronics Technology Co., Ltd
CHECKED		SCALE	10:1	VER. B.2	
APPROVED		TITLE	pogo pin connector.		Ang:
PROJECT		DRAWING NO.	C700-01		0 ±1°
SHEET	1 of 1	UNIT	mm		.0 ±0.5°
					.00 ±0.25°
					Dim: 0 ±0.15
					.0 ±0.10
					.00 ±0.05

VER.	DESCRIPTION	ECN NO.	DATE