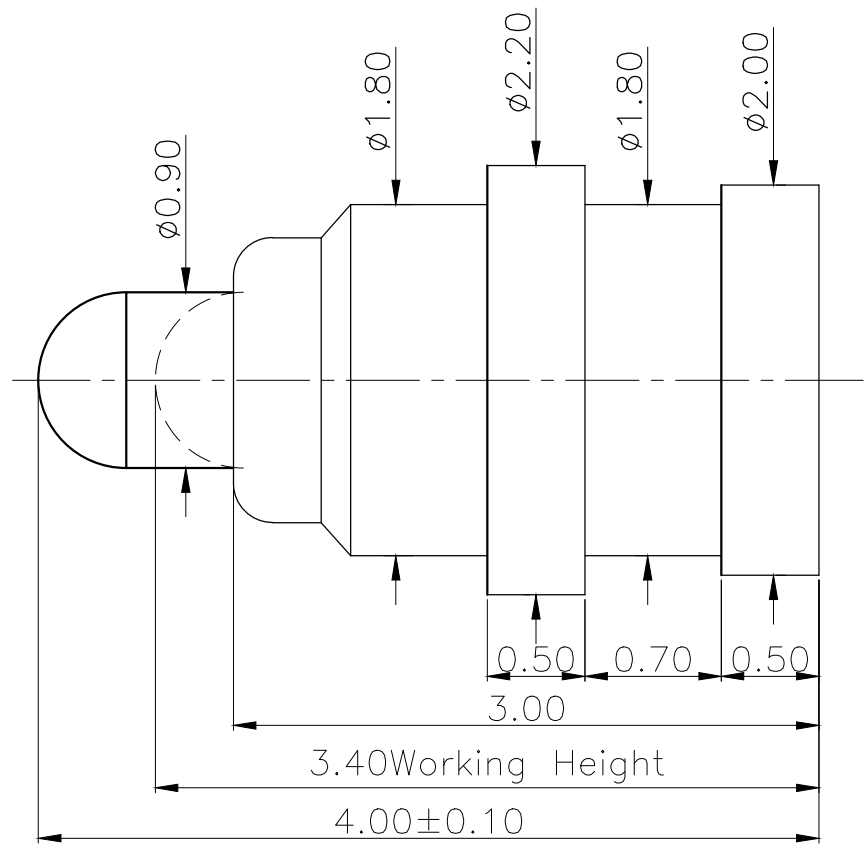


Please Approve this Drawing

Date

Signature

NO.	Part Name	Q'TY	Material	Plated surface
1	Plunger	1	HBI59	100 U" Min. NI
2	Barrel	1	HBI59	100 U" Min. NI
3	Spring	1	SUS304	/
4				



- NOTES:
- Electrical
    - .Rated Current & Voltage : DC 12 V ; 1A
    - .Contact Resistance: 2 ohm maximum at Working Height(Quiescence)
  - Mechanical
    - .Spring Force : 100g±30g at Working Height
    - .Durability:10,000 cycles(minimum)
  - Environmental
    - .Operating Temperature: -25°C~+85°C
    - .Humidity Range: 10%RH~90%RH
    - .Salt Spray: 24 Hours
  - When the current is greater than 1A then need to increase the time delay circuit(3 second)
  - To avoid arcing issue, The adaptor start to power supply after connector mated fully.
  - To ensure the best usage,please operate it based on the working height.
  - .RoHs&HF compliant product.

VER.	DESCRIPTION	ECN NO.	DATE

DRAWN	lys	DATE	2020.12.29				Dongguan Promax Electronics Technology Co., Ltd	
CHECKED		SCALE	10:1	VER.	B.0		Ang:	Dim:
APPROVED		TITLE	pogo pin			0 ±1°	0 ±0.15	
PROJECT		DRAWING NO.	NC2655-01			.0 ±0.5°	.0 ±0.10	
SHEET	1 of 1	UNIT	mm			.00 ±0.25°	.00 ±0.05	