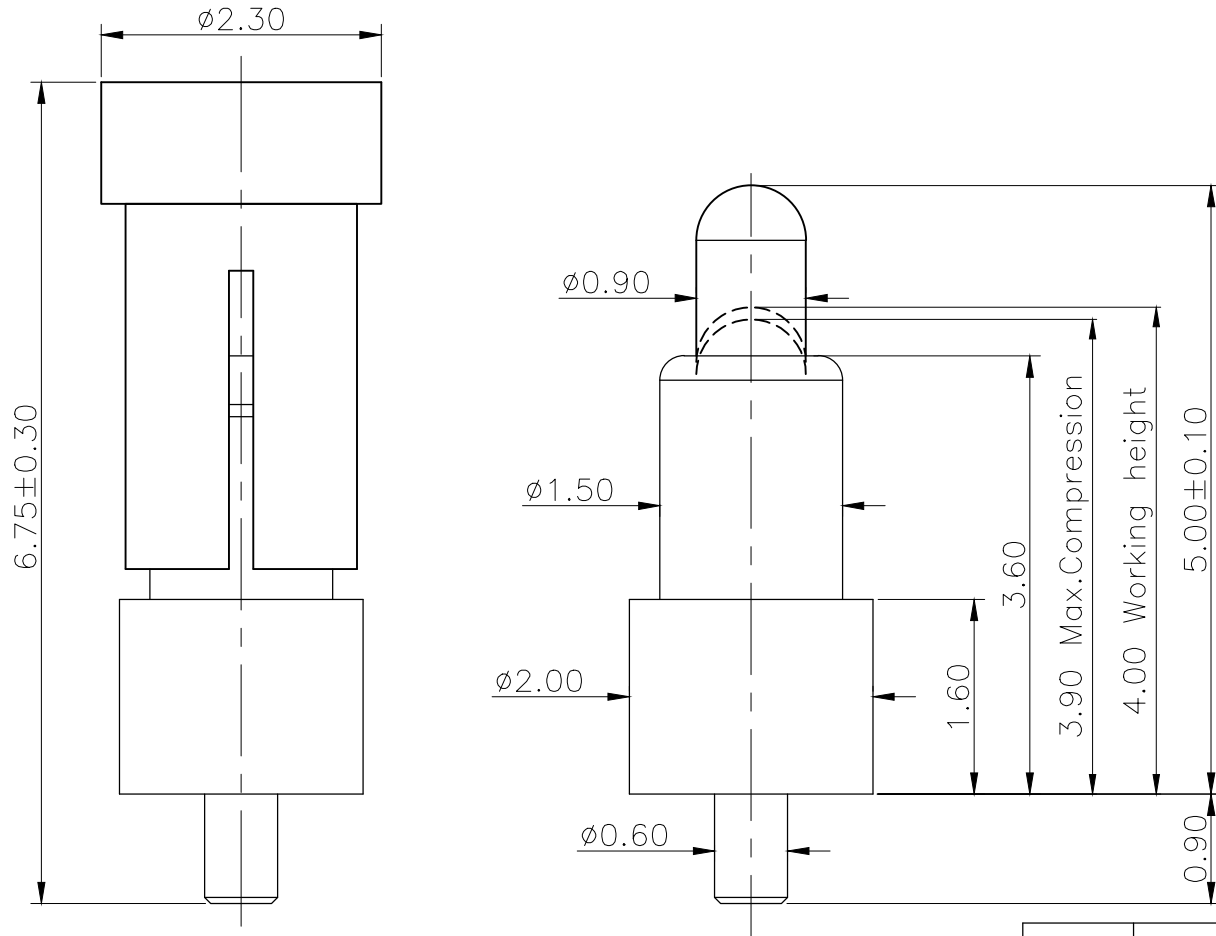


Please Approve this Drawing


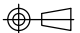
Date	
Signature	

NO.	Part Name	Version	Q'TY	Material	Plated surface
1	Plunger	B.0	1	HBi59	Au 5 u" Min. OVER 50~120 U" NI
2	Barrel	B.0	1	HBi59	Au 5 u" Min. OVER 50~120 U" NI
3	Spring	B.0	1	SUS 304	/
4	CAP	B.0	1	High temp.Plastic;	UL94 V-0 Color Black
5					



NOTES:

- Electrical
 - .Rated Current & Voltage : DC 12 V ; 1.0A
 - .Contact Resistance: 30 mohm maximum at Working Height(Quiescence)
- Mechanical
 - .Full store: 1.10 mm
 - .Spring Force : 80g \pm 15g at Working Height
 - .Durability:10,000 cycles(minimum)
- Environmental
 - .Operating Temperature: $-45^{\circ}\text{C} \sim +85^{\circ}\text{C}$
 - .Humidity Range: 10%RH \sim 90%RH
 - .Salt Spray: 48 Hours
- When the current is greater than 1A then need to increase the time delay circuit(3 second)
- To avoid arcing issue, The adaptor start to power supply after connector mated fully.
- To ensure the best usage,please operate it based on the working height.
- .RoHs&HF compliant product.

DRAWN	LX	DATE	2021.03.12			 Dongguan Promax Electronics Technology Co., Ltd
CHECKED		SCALE	10:1	VER.	B.0	
APPROVED		TITLE	pogo pin			Ang:
PROJECT		DRAWING NO.	NC2938-01RA			0 $\pm 1^{\circ}$
SHEET	1 of 1	UNIT	mm			.0 $\pm 0.5^{\circ}$
						.00 $\pm 0.25^{\circ}$
						Dim: 0 ± 0.15
						.0 ± 0.10
						.00 ± 0.05

VER.	DESCRIPTION	ECN NO.	DATE