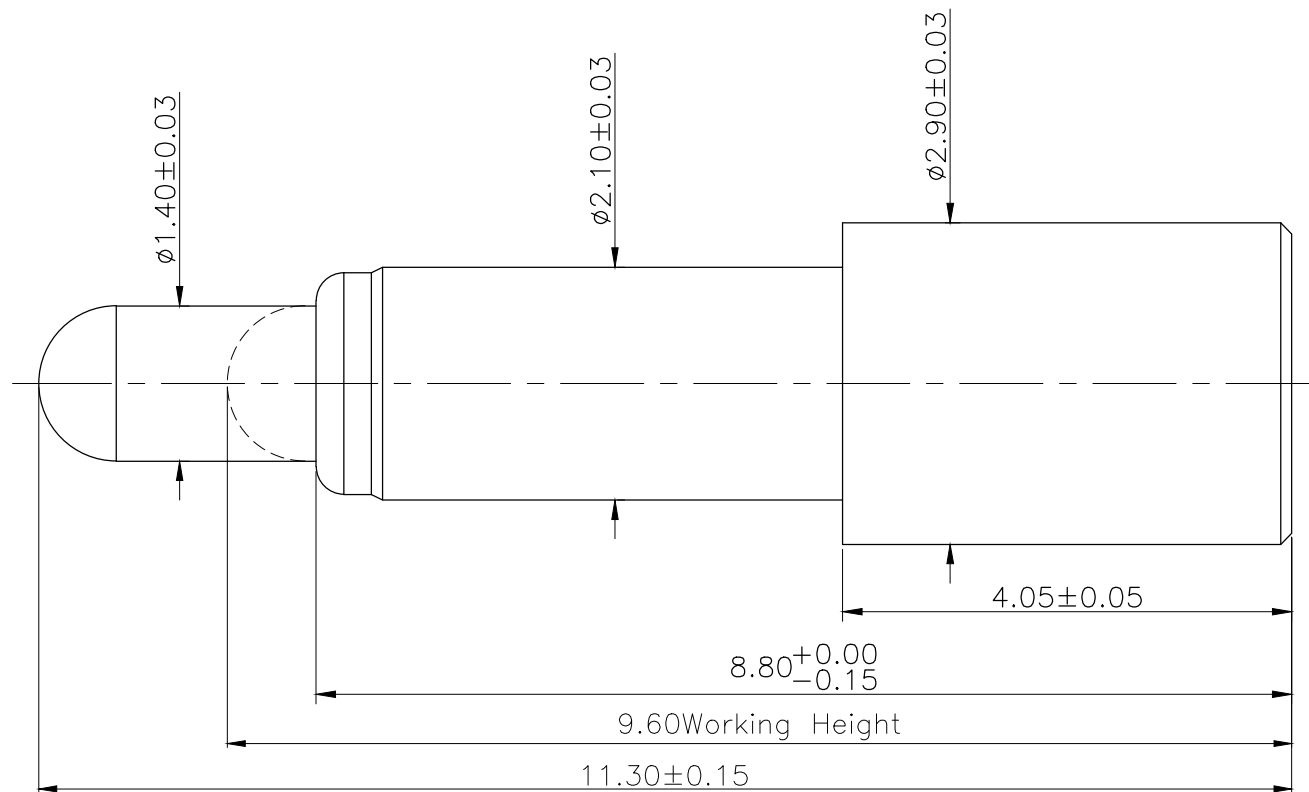


Please Approve this Drawing

Date


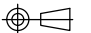
Signature

NO.	Part Name	Q'TY	Material	Plated surface
1	Plunger	1	Brass	Au 10u" Min. OVER 50U" Min. Ni
2	Barrel	1	Brass	Au 10u" Min. OVER 50U" Min. Ni
3	Spring	1	SUS304	/
4	Ball	1	Brass	Au 1u" Min. OVER 50U" Min. Ni



NOTES:

- Electrical
 - .Rated Current & Voltage : DC 65 V ; 5.0A Max.
 - .Contact Resistance: 10 mohm maximum at Working Height(Quiescence)
- Mechanical
 - .Full store: 2.00 mm
 - .Spring Force : 5.5N~7.5N at Working Height
 - .Durability: 50 cycles(minimum)
- Environmental
 - .Operating Temperature: $-40^{\circ}\text{C} \sim +85^{\circ}\text{C}$
 - .Humidity Range: 10%RH~90%RH
 - .Salt Spray: 96 Hours
- When the current is greater than 1A then need to increase the time delay circuit(3 second)
- To avoid arcing issue, The adaptor start to power supply after connector mated fully.
- To ensure the best usage, please operate it based on the working height.
- .RoHs&HF compliant product.

DRAWN	lys	DATE	2021.05.29			 Dongguan Promax Electronics Technology Co., Ltd
CHECKED		SCALE	10:1	VER.	B.0	
APPROVED		TITLE	pogo pin			Ang:
PROJECT		DRAWING NO.	NC3353-01PA			0 $\pm 1^{\circ}$
SHEET	1 of 1	UNIT	mm			.0 $\pm 0.5^{\circ}$
						.00 $\pm 0.25^{\circ}$
						Dim: 0 ± 0.15
						.0 ± 0.10
						.00 ± 0.05

VER.	DESCRIPTION	ECN NO.	DATE
B.1			
B.0			