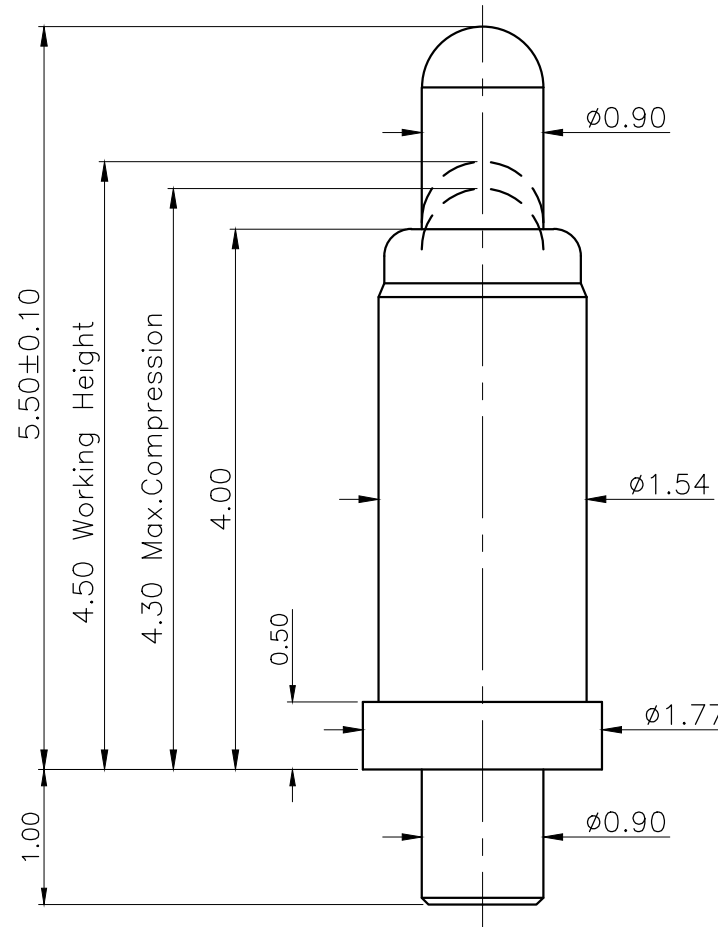
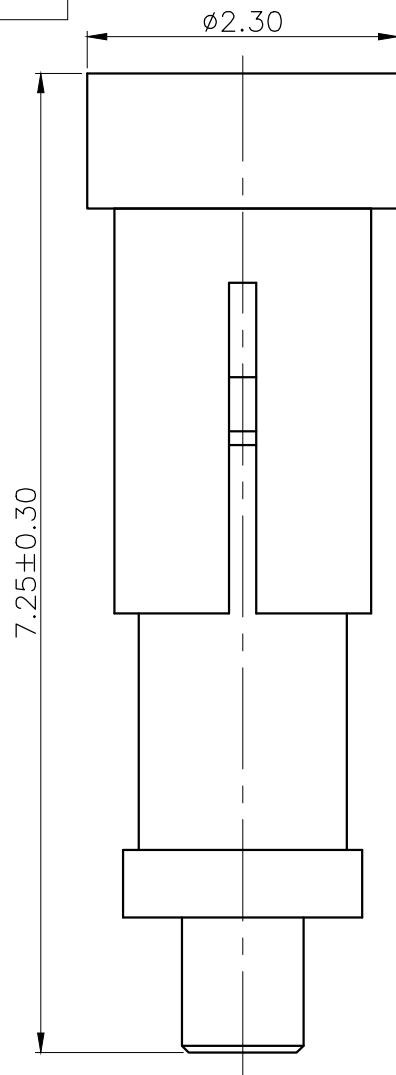


Please Approve this Drawing

Date


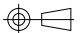
Signature

NO.	Part Name	Q'TY	Material	Plated surface
1	Plunger	1	HB159	AU 5 U" MIN OVER 50~120 U" NI
2	Barrel	1	HB159	AU 5 U" MIN OVER 50~120 U" NI
3	Spring	1	SUS304	AU 1 U" MIN OVER NI
4	CAP	1	High temp.Plastic; UL94 V-0	Color Black



NOTES:

- Electrical
  - .Rated Current & Voltage : DC 12 V ; 1A
  - .Contact Resistance: 50 mohm maximum at Working Height(Quiescence)
- Mechanical
  - .Full store: 1.20 mm
  - .Working Store: 1.0 mm
  - .Spring Force: 30gf±8gf at Normal Working Height
  - .Durability:10,000 cycles(minimum)
- Environmental
  - .Operating Temperature:  $-25^{\circ}\text{C} \sim +85^{\circ}\text{C}$
  - .Humidity Range: 10%RH~90%RH
  - .Salt Spray: 48 Hours
- When the current is greater than 1A then need to increase the time delay circuit(3 second)
- To avoid arcing issue, The adaptor start to power supply after connector mated fully.
- To ensure the best usage,please operate it based on the working height.
- .RoHs&HF compliant product.

DRAWN	LX	DATE	2021.09.26			 Dongguan Promax Electronics Technology Co., Ltd
CHECKED		SCALE	10:1	VER.	A.0	
APPROVED		TITLE	pogo pin connector.			Ang:
PROJECT		DRAWING NO.	NC2548-01RA			0 ±1°
SHEET	1 of 1	UNIT	mm			.0 ±0.5°
						.00 ±0.25°
						Dim: 0 ±0.15
						.0 ±0.10
						.00 ±0.05

VER.	DESCRIPTION	ECN NO.	DATE