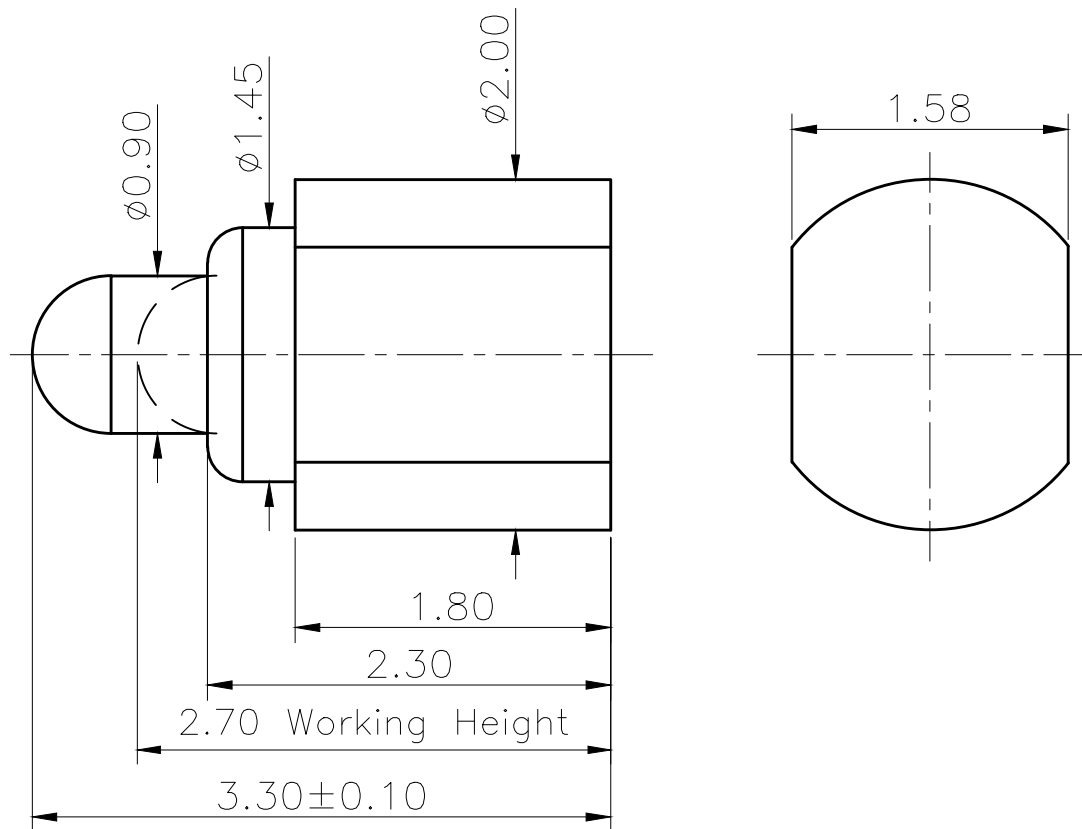



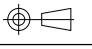
Please Approve this Drawing	
Date	
Signature	

NO.	Part Name	Q'TY	Material	Plated surface
1	Plunger	1	Brass	3 U" Au MIN OVER 50~120 U" NI
2	Barrel	1	Brass	3 U" Au MIN OVER 50~120 U" NI
3	Spring	1	SUS 304	3 U" Au MIN OVER NI



NOTES:

- Electrical
 - .Rated Current & Voltage : DC 12 V ; 1A
 - .Contact Resistance:50 mohm maximum at Working Height(Quiescence)
- Mechanical
 - .Full store: 1.00 mm
 - .Spring Force :20g±10g at Working Height
 - .Durability:10,000 cycles(minimum)
- Environmental
 - .Operating Temperature: -25°C~+85°C
 - .Humidity Range: 10%RH~90%RH
 - .Salt Spray: 48 Hours
- When the current is greater than 1A then need to increase the time delay circuit(3 second)
- To avoid arcing issue, The adaptor start to power supply after connector mated fully.
- To ensure the best usage,please operate it based on the working height.
- .RoHs&HF compliant product.

DRAWN	lys	DATE	2020.07.28			 Dongguan Promax Electronics Technology Co., Ltd
CHECKED		SCALE	10:1	VER.	B.0	
APPROVED		TITLE	pogo pin connector.			Ang:
PROJECT		DRAWING NO.	C2151-01			0 ±1°
SHEET	1 of 1	UNIT	mm			.0 ±0.5°
						.00 ±0.25°
						Dim: 0 ±0.15
						.0 ±0.10
						.00 ±0.05

VER.	DESCRIPTION	ECN NO.	DATE