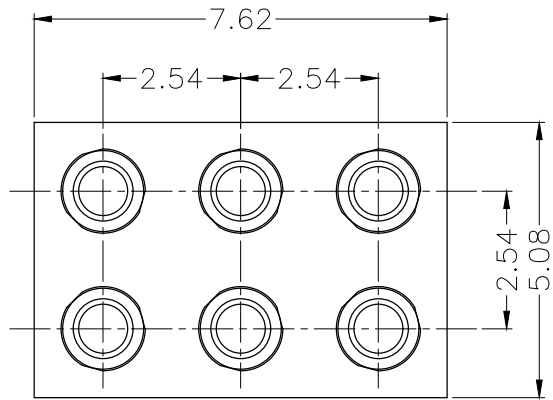


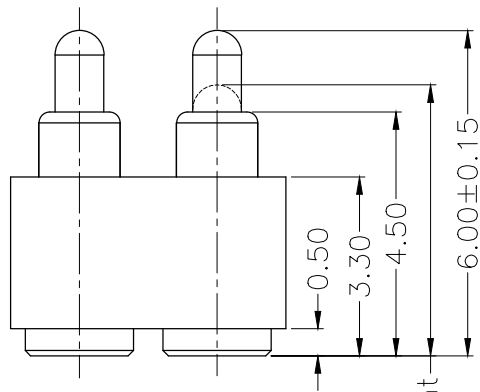
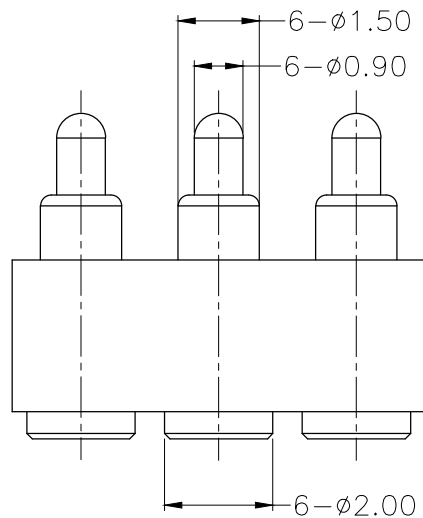
Please Approve this Drawing

Date

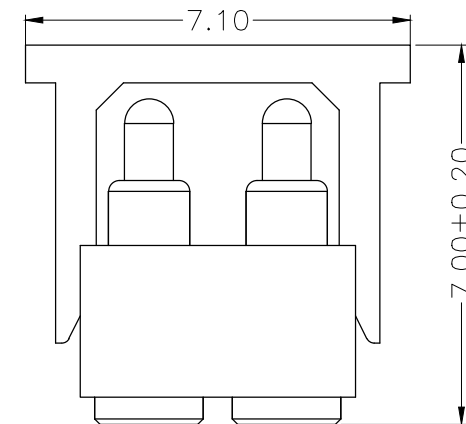
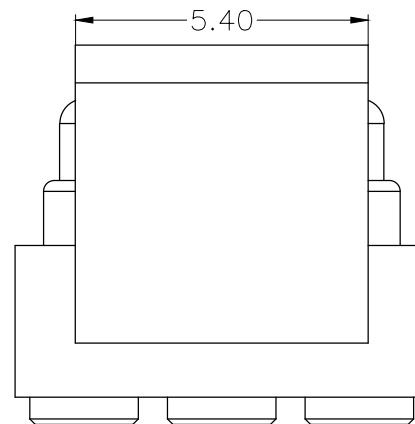
Signature



Z595-0105A
 K1358-0105A
 T1358-1A
 H511-06A
 H511-06B



5.00 Working Height



N0.	Part Name	Q'TY	Material	Plated surface
1	Plunger	6	C3604	Au 5u" Min. Over 50~120u" Ni
2	Barrel	6	C3604	Au 5u" Min. Over 50~120u" Ni
3	Spring	6	SUS 304	N/A
4	Housing	1	LCP	Black,UL94V-0
5	Cap	1	LCP	N/A

NOTES:

- Electrical
 - .Rated Current & Voltage : DC 12 V ; 1.0A
 - .Contact Resistance:50 mohm maximum at Working Height(Quiescence)
 - .Insulation Resistance: 500MΩ Min. at 500VDC/Minute
 - .Dielectric Withstanding Voltage: At 500VAC/Minute No Breakdown
- Mechanical
 - .Full store: 1.50 mm
 - .Spring Force : 90±20%gf at Working Height
 - .Durability:10,000 cycles(minimum)
- Environmental
 - .Operating Temperature: -25°C~+85°C
 - .Humidity Range: 10%RH~90%RH
 - .Salt Spray: 48 Hours
- When the current is greater than 1A then need to increase the time delay circuit(3 second)
- To avoid arcing issue, The adaptor start to power supply after connector mated fully.
- To ensure the best usage,please operate it based on the working height.
- RoHs&HF compliant product.
- SMT Temperature: 265°C±5°, 2±0.5S
 Soldering Temperature: 280°C±5°, 10±1S

DRAWN	lys	DATE	2019.09.20			Dongguan Promax Electronics Technology Co., Ltd
CHECKED		SCALE	10:1	VER.	B.0	
APPROVED		TITLE	pogo pin connector.			Ang:
PROJECT		DRAWING NO.	C1358-06R			0 ±1°
SHEET	1 of 1	UNIT	mm			.0 ±0.5°
						.00 ±0.25°
						0 ±0.15
						.0 ±0.10
						.00 ±0.05

VER.	DESCRIPTION	ECN NO.	DATE