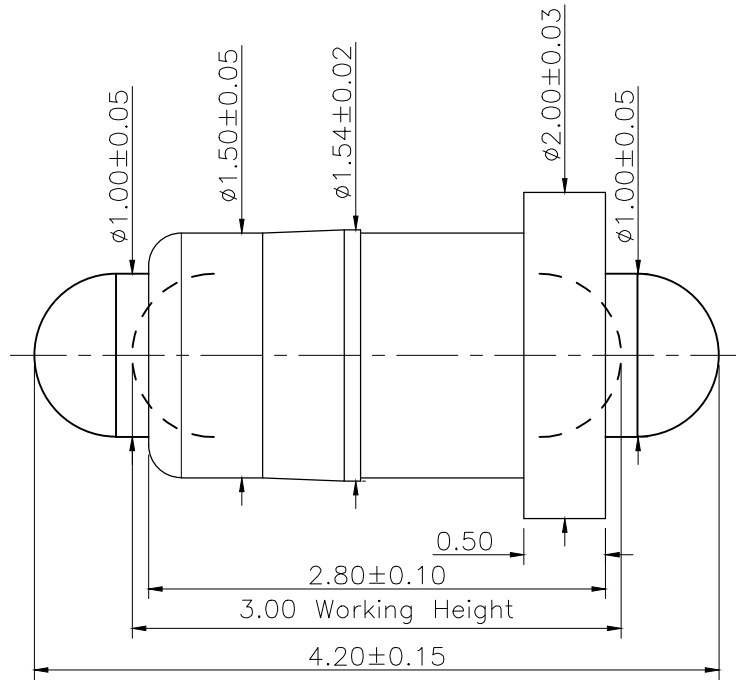
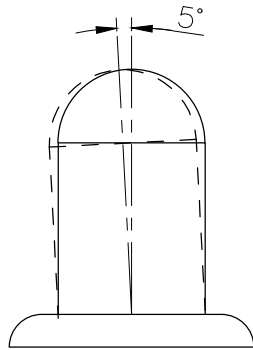


Please Approve this Drawing	
Date	
Signature	

NO.	Part Name	Q'TY	Material	Plated surface
1	Plunger	2	无铅铜HBI59	AU 10 U" MIN OVER 50~120 U" NI
2	Barrel	1	无铅铜HBI59	AU 10 U" MIN OVER 50~120 U" NI
3	Spring	1	SUS304	N/A



NOTES:

- Electrical
  - .Rated Current & Voltage : DC 12 V ; 1.0A Max.
  - .Contact Resistance: 100 mohm maximum at Working Height(Quiescence)
- Mechanical
  - .Full store: 1.3 mm
  - .Working Store: 1.20 mm
  - .Spring Force: 80gf±20%gf at Normal Working Height
  - .Durability:50,000 cycles(minimum)
- Environmental
  - .Operating Temperature: -25°C~+85°C
  - .Humidity Range: 10%RH~90%RH
- When the current is greater than 1A then need to increase the time delay circuit(3 second)
- To ensure the best usage,please operate it based on the working height.
- .RoHS&HF compliant product.

DRAWN	ZYH	DATE	2022.07.04			Bridge Electronics Technology(Dongguan)Co.Ltd.				
CHECKED	Lys	SCALE	10:1	VER.	A.0					
APPROVED	Tonny	TITLE	pogo pin			Ang:				
PROJECT		DRAWING NO.	NC4873-01PA			0 ±1°	0 ±0.15			
SHEET	1 of 1	UNIT	mm			.0 ±0.5°	.0 ±0.10			
						.00 ±0.25°	.00 ±0.05			

A.0	NEW RELEASE		
VER.	DESCRIPTION	ECN NO.	DATE