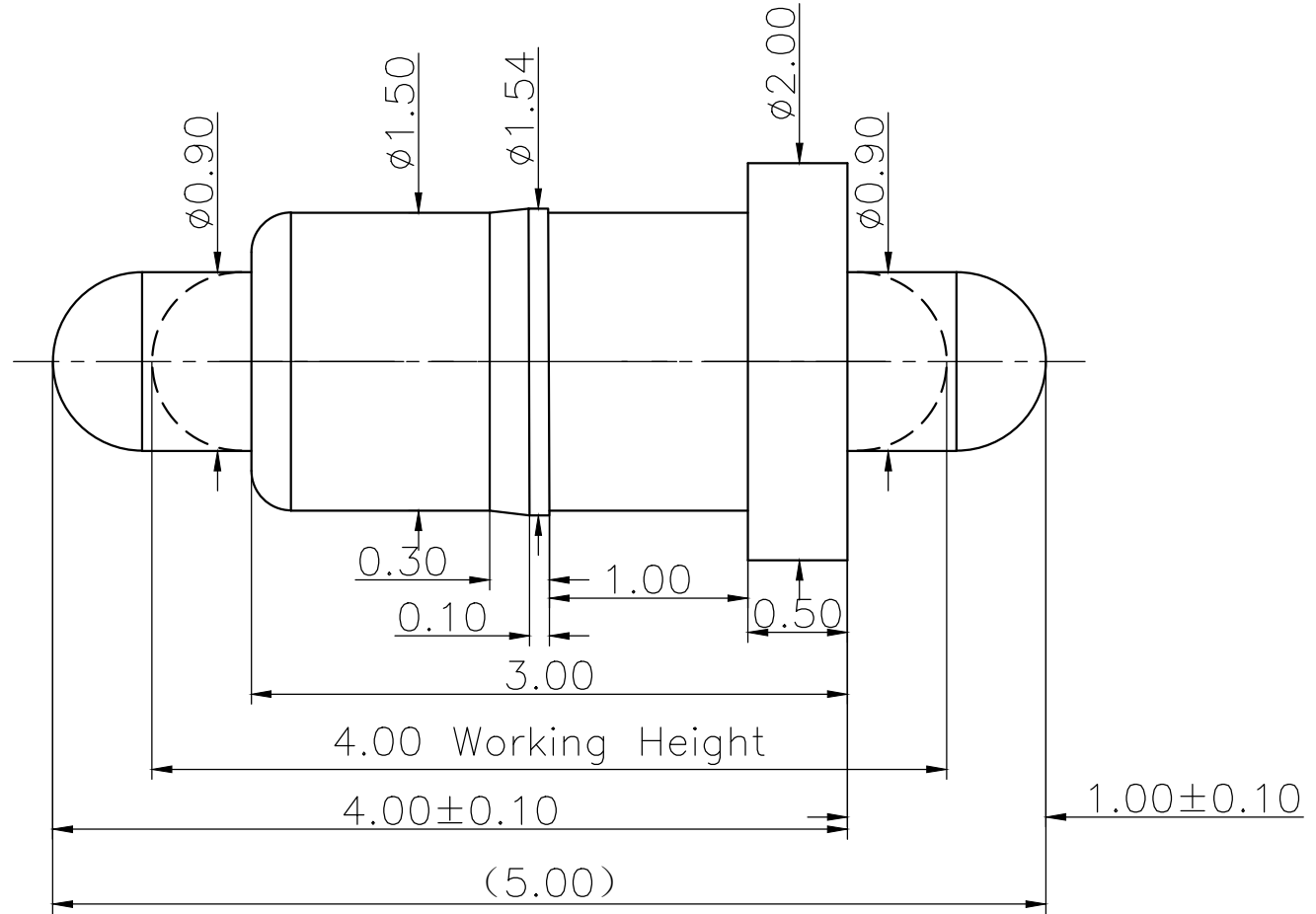
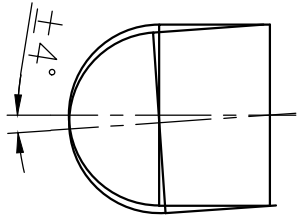


Please Approve this Drawing

Date

Signature

NO.	Part Name	Q'TY	Material	Plated surface
1	Plunger	2	brass	AU 3U" MIN OVER 50~120 U" NI
2	Barrel	1	brass	AU 3U" MIN OVER 50~120 U" NI
3	Spring	1	SUS304	/
4				



NOTES:

- Electrical
 - .Rated Current & Voltage : DC 12 V ; 1.0A
 - .Contact Resistance: 50 mohm maximum at Working Height(Quiescence)
- Mechanical
 - .Full store: 1.10 mm
 - .Working Store: 1.00 mm
 - .Spring Force: 80gf \pm 20gf at Working Height
 - .Durability:10,000 cycles(minimum)
- Environmental
 - .Operating Temperature: $-40^{\circ}\text{C} \sim +85^{\circ}\text{C}$
 - .Humidity Range: 10%RH~90%RH
- When the current is greater than 1A then need to increase the time delay circuit(3 second)
- To avoid arcing issue, The adaptor start to power supply after connector mated fully.
- To ensure the best usage,please operate it based on the working height.
- .RoHS&HF compliant product.

DRAWN	ZYH	DATE	2022.07.28				Dongguan Promax Electronics Technology Co., Ltd	
CHECKED		SCALE	10:1	VER.	A.0			
APPROVED		TITLE	pogo pin connector.			Ang:	Dim:	
PROJECT		DRAWING NO.	NC4970-01PA			0 $\pm 1^{\circ}$	0 ± 0.15	
SHEET	1 of 1	UNIT	mm			.0 $\pm 0.5^{\circ}$.0 ± 0.10	
						.00 $\pm 0.25^{\circ}$.00 ± 0.05	

VER.	DESCRIPTION	ECN NO.	DATE