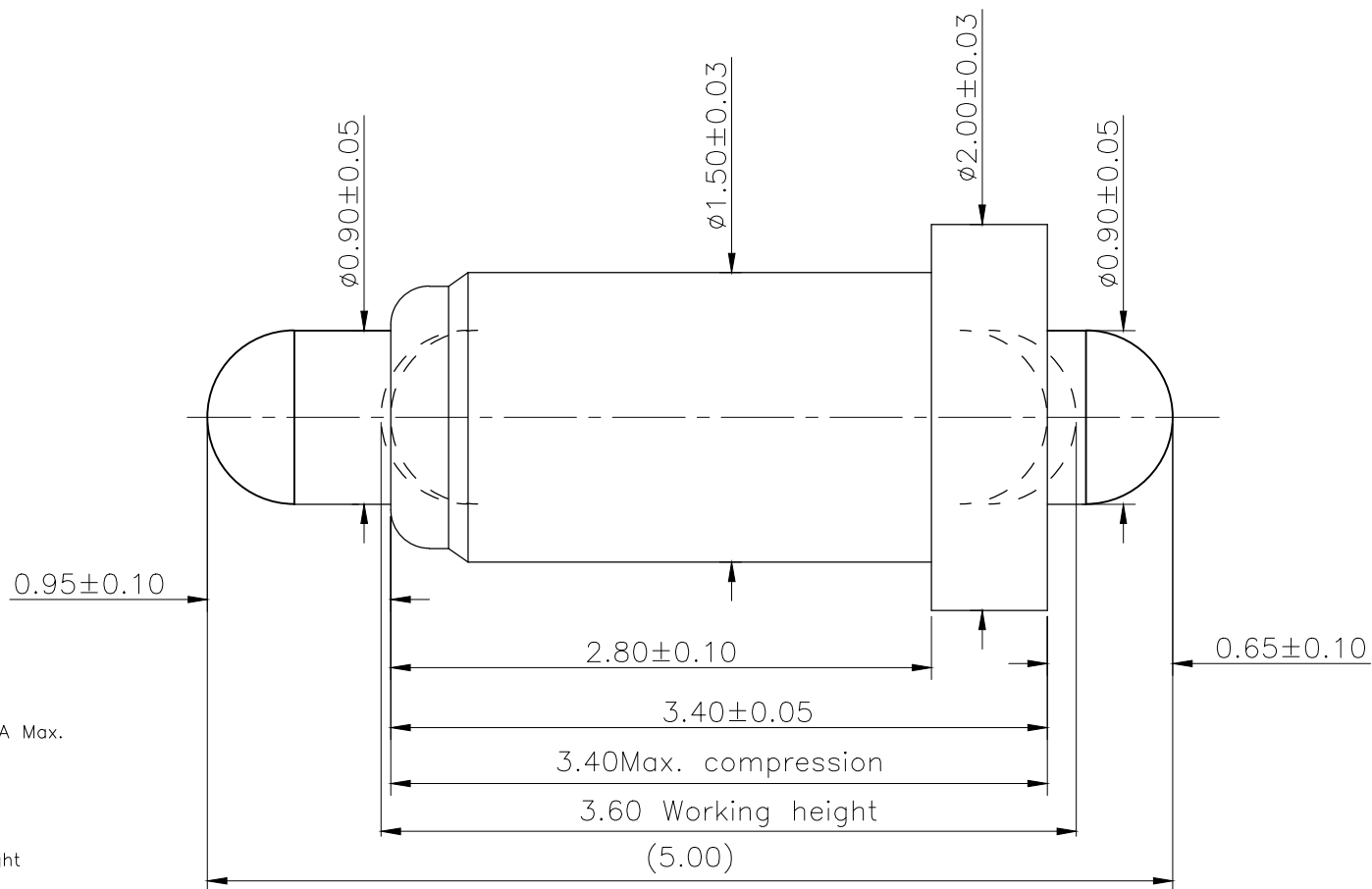
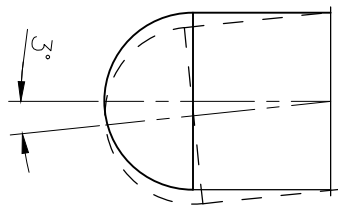


Please Approve this Drawing

Date

Signature

| NO. | Part Name | Q'TY | Material | Plated surface                 |
|-----|-----------|------|----------|--------------------------------|
| 1   | Plunger   | 1    | brass    | AU 50 U" MIN OVER 50 U" MIN NI |
| 2   | Barrel    | 1    | brass    | Au 20 U" MIN OVER 50 U" MIN NI |
| 3   | Spring    | 1    | 铍铜       | AU 5 U" MIN OVER 50 U" MIN NI  |
| 4   | Plunger   | 1    | brass    | AU 20 U" MIN OVER 50 U" MIN NI |



NOTES:

- Electrical
  - .Rated Current & Voltage : DC 12 V ; 0.1A Max.
  - .Contact Resistance: 100 mohm maximum at Working Height(Quiescence)
- Mechanical
  - .Full store: 1.60 mm
  - .Working Store: 1.40 mm
  - .Spring Force: 50gf±20%gf at Working Height
  - .Durability:10,000 cycles(minimum)
- Environmental
  - .Operating Temperature: -40°C~+85°C
  - .Humidity Range: 10%RH~90%RH
  - .Salt Spray: 48 Hours
- When the current is greater than 1A then need to increase the time delay circuit(3 second)
- To avoid arcing issue, The adaptor start to power supply after connector mated fully.
- To ensure the best usage,please operate it based on the working height.
- .RoHS&HF compliant product.

|          |        |             |             |      |     |  |           |
|----------|--------|-------------|-------------|------|-----|--|-----------|
| DRAWN    | lys    | DATE        | 2022.08.20  |      |     | Dongguan Promax Electronics Technology Co., Ltd. |           |
| CHECKED  |        | SCALE       | 10:1        | VER. | A.0 |  |           |
| APPROVED |        | TITLE       | PoGo Pin    |      |     | Ang:   |           |
| PROJECT  |        | DRAWING NO. | NC5059-01PA |      |     | 0 ±1°  | 0 ±0.15   |
| SHEET    | 1 of 1 | UNIT        | mm          |      |     | .0 ±0.5°   | .0 ±0.10  |
|          |        |             |             |      |     | .00 ±0.25°                                       | .00 ±0.05 |

| VER. | DESCRIPTION | ECN NO. | DATE |
|------|-------------|---------|------|
|      |             |         |      |