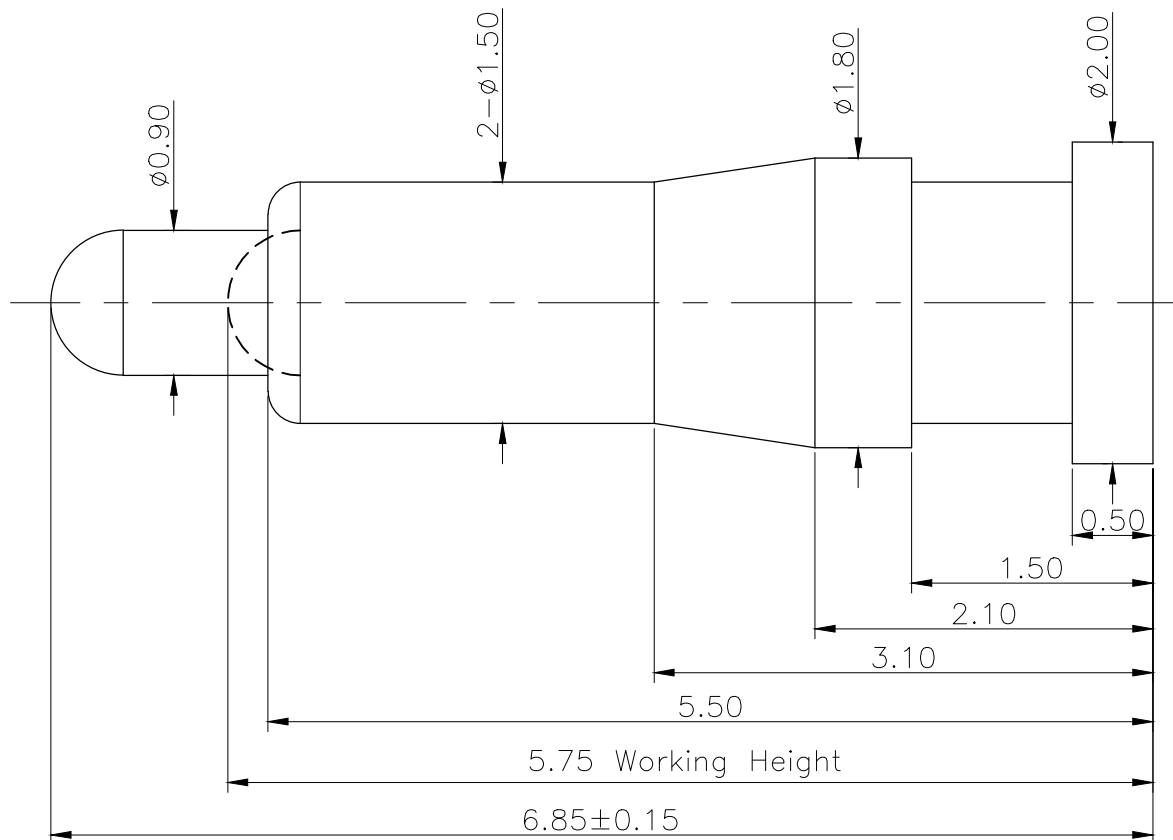


Please Approve this Drawing

Date


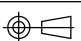
Signature

NO.	Part Name	Q'TY	Material	Plated surface
1	Plunger	1	brass	Au 5u" Min. OVER 50~120 U" NI
2	Barrel	1	brass	Au 5u" Min. OVER 50~120 U" NI
3	Spring	1	SUS 304	/



NOTES:

- Electrical
 - .Rated Current & Voltage : DC 12 V ; 2.0A
 - .Contact Resistance: 50 mohm maximum at Working Height(Quiescence)
- Mechanical
 - .Full store: 1.30 mm
 - .Spring Force: 100gf±20%gf at Working Height
 - .Durability:20,000 cycles(minimum)
- Environmental
 - .Operating Temperature: -40°C~+85°C
 - .Humidity Range: 10%RH~90%RH
- When the current is greater than 1A then need to increase the time delay circuit(3 second)
- To avoid arcing issue, The adaptor start to power supply after connector mated fully.
- To ensure the best usage, please operate it based on the working height.
- .RoHS&HF compliant product.

DRAWN	ZYH	DATE	2022.08.25			 Dongguan Promax Electronics Technology Co., Ltd
CHECKED		SCALE	10:1	VER.	A.0	
APPROVED		TITLE	pogo pin			Ang:
PROJECT		DRAWING NO.	NC5078-01PA			0 ±1°
SHEET	1 of 1	UNIT	mm			.0 ±0.5°
						.00 ±0.25°
						Dim:
						0 ±0.15
						.0 ±0.10
						.00 ±0.05

VER.	DESCRIPTION	ECN NO.	DATE
A.0	NEW RELEASE		