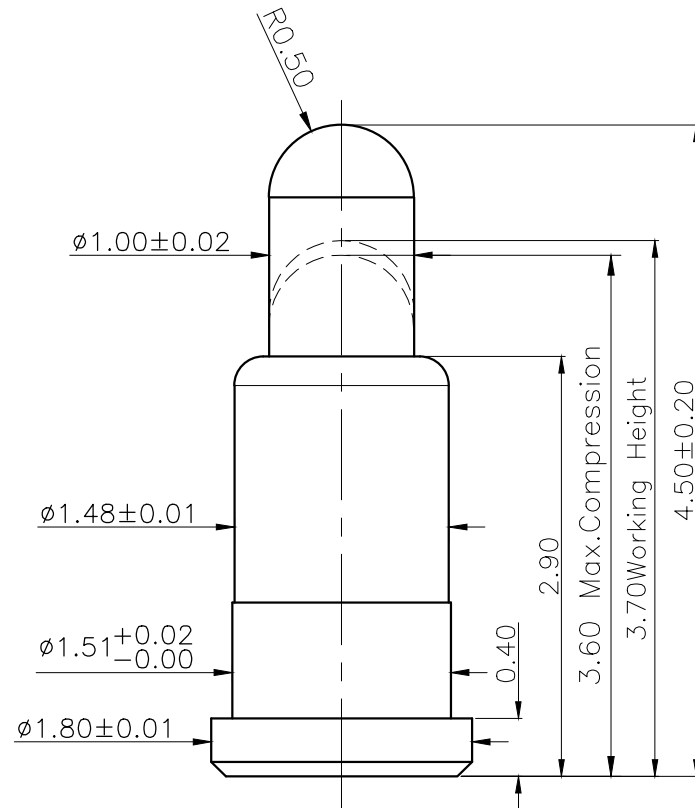
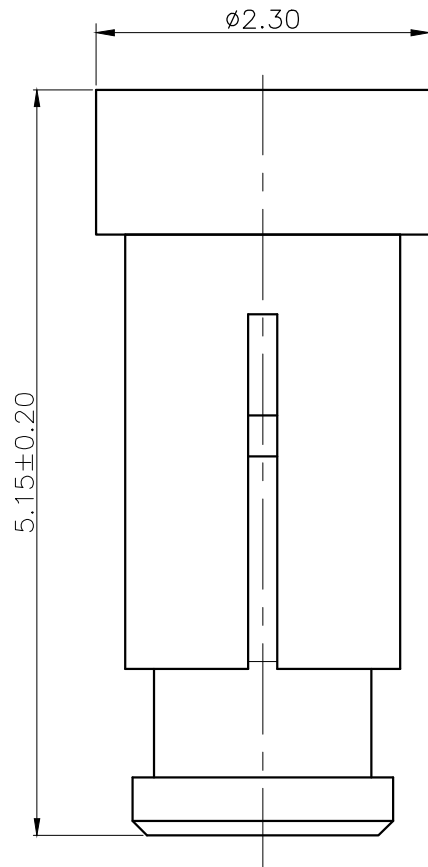


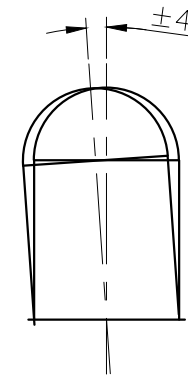
Please Approve this Drawing	
Date	
Signature	


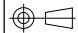
NO.	Part Name	Q'TY	Material	Plated surface
1	Plunger	1	brass	AU 10 U" MIN OVER 50~100 U" NI
2	Barrel	1	brass	AU 10 U" MIN OVER 50~100 U" NI
3	Spring	1	SUS 304	/
4	CAP	1	High temp.Plastic; UL94 V-0 Color Black	



NOTES:

- Electrical
 - .Rated Current & Voltage : DC 12 V ; 1A
 - .Contact Resistance: 50 mohm maximum at Working Height(Quiescence)
- Mechanical
 - .Full store: 0.90 mm
 - .Spring Force : 120g±20%g at Working Height
 - .Durability:10,000 cycles(minimum)
- Environmental
 - .Operating Temperature: -40°C~+85°C
 - .Humidity Range: 10%RH~90%RH
 - .Withstanding High Temperature:260°C/10Sec
- When the current is greater than 1A then need to increase the time delay circuit(3 second)
- To avoid arcing issue, The adaptor start to power supply after connector mated fully.
- To ensure the best usage,please operate it based on the working height.
- .RoHS&HF compliant product.



DRAWN	ZYH	DATE	2022.08.26			 Dongguan Promax Electronics Technology Co., Ltd.
CHECKED		SCALE	10:1	VER.	A.0	
APPROVED		TITLE	pogopin			Ang:
PROJECT		DRAWING NO.	NC5080-01RA			0 ±1°
SHEET	1 of 1	UNIT	mm			.0 ±0.5°
						.00 ±0.25°
						Dim: 0 ±0.20
						.0 ±0.15
						.00 ±0.10

VER.	DESCRIPTION	ECN NO.	DATE