

Please Approve this Drawing

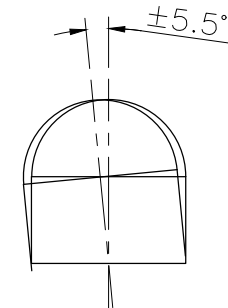
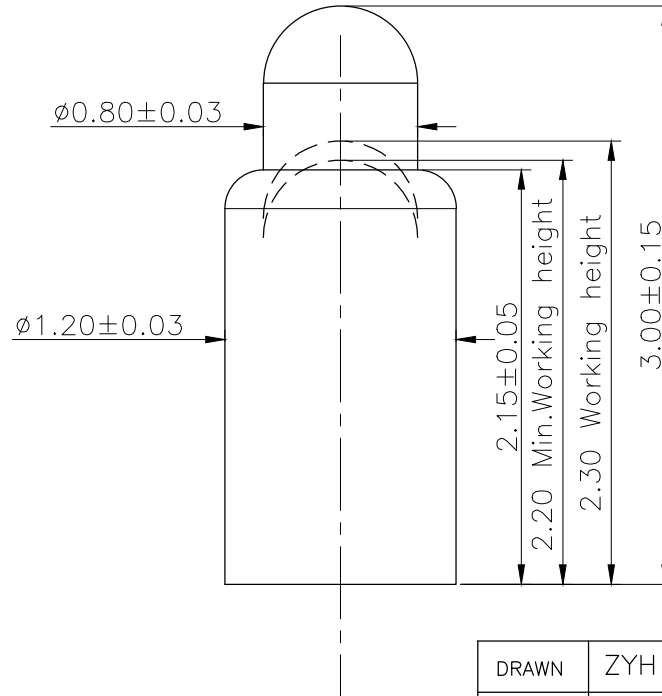
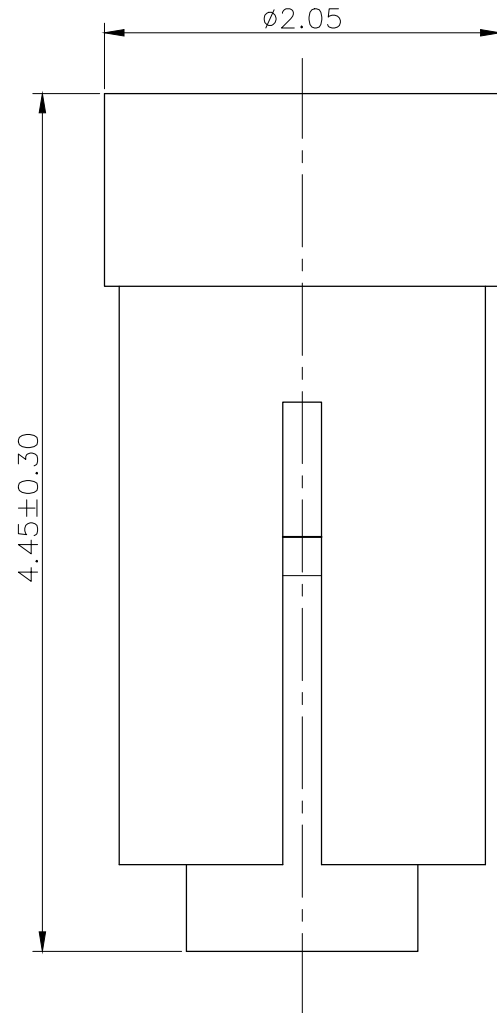
Date _____


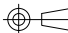
Signature _____

NO.	Part Name	Q'TY	Material	Plated surface
1	Plunger	1	brass	Au 10u" Min. OVER 50~120 U" NI
2	Barrel	1	brass	Au 10u" Min. OVER 50~120 U" NI
3	Spring	1	SUS 304	Au 3u" Min. OVER NI
4	Cap	1	HIGH-TEMP PLASTIC, BLACK COLOR	

NOTES:

- Electrical
 - .Rated Current & Voltage : DC 12 V ; 1A Max.
 - .Contact Resistance: 50 mohm maximum at Working Height(Quiescence)
- Mechanical
 - .Full store: 0.80 mm
 - .Working Store: 0.70 mm
 - .Spring Force: 50gf+¹/₃gf at Working Height
 - .Durability:10,000 cycles(minimum)
- Environmental
 - .Operating Temperature: -40°C~+85°C
 - .Humidity Range: 10%RH~90%RH
 - .Salt Spray: 48 Hours
- When the current is greater than 1A then need to increase the time delay circuit(3 second)
- To ensure the best usage,please operate it based on the working height.
- .RoHS&HF compliant product.



DRAWN	ZYH	DATE	2022.08.29			 Dongguan Promax Electronics Technology Co., Ltd.			
CHECKED		SCALE	10:1	VER.	A.0				
APPROVED		TITLE	Pogo Pin			Ang:	Dim:		
PROJECT		DRAWING NO.	NC5106-01RA			0	$\pm 1^\circ$	0	± 0.15
SHEET	1 of 1	UNIT	mm			.0	$\pm 0.5^\circ$.0	± 0.10
						.00	$\pm 0.25^\circ$.00	± 0.05

VER.	DESCRIPTION	ECN NO.	DATE