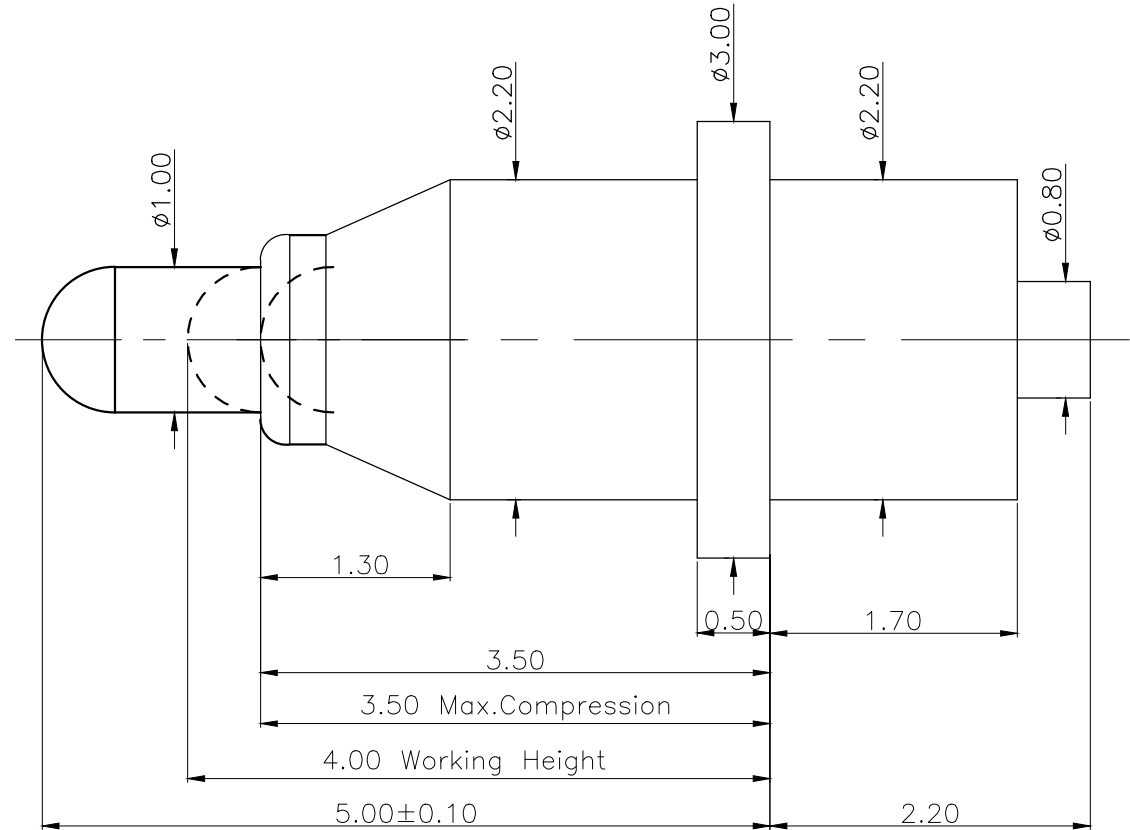


Please Approve this	
Date	
Signature	

NO.	Part Name	Q'TY	Material	Plated surface
1	Plunger	1	brass	Au 2u" Min. OVER 60~150 U" NI
2	Barrel	1	brass	Au 2u" Min. OVER 60~150 U" NI
3	Spring	1	SUS 304	绝缘处理
4	Ball	1	brass	Au 1u" Min. OVER 50~120 U" NI



NOTES:

- Electrical
 - .Rated Current & Voltage : DC 12V ; 3.0A Max.
 - .Contact Resistance: 50 mohm maximum
- Mechanical
 - .Full store: 1.30 mm
 - .Working Store: 1.0 mm
 - .Spring Force: 80gf±16gf at Working Height
 - .Durability:10,000 cycles(minimum)
- Environmental
 - .Operating Temperature: -40°C~+85°C
 - .Humidity Range: 10%RH~90%RH
 - .Salt Spray: 48 Hours
- When the current is greater than 1A then need to increase the time delay circuit(3 second)
- To avoid arcing issue, The adaptor start to power supply after connector mated fully.
- To ensure the best usage,please operate it based on the working height.
- .RoHs&HF compliant product.

DRAWN	LX	DATE	2022.09.01			Dongguan Promax Electronics Technology Co., Ltd	
CHECKED		SCALE	10:1	VER. A.0		Ang:	Dim:
APPROVED		TITLE	VP005pogo pin		0 ±1°	0 ±0.15	
PROJECT		DRAWING NO.	NC5125-01PA		.0 ±0.5°	.0 ±0.10	
SHEET	1 of 1	UNIT	mm		.00 ±0.25°	.00 ±0.05	

VER.	DESCRIPTION	ECN NO.	DATE