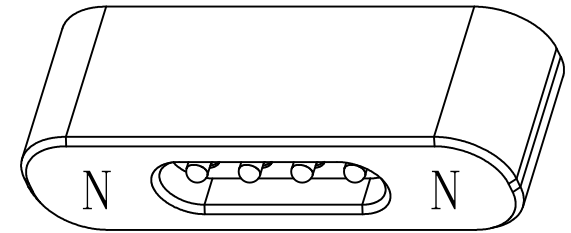
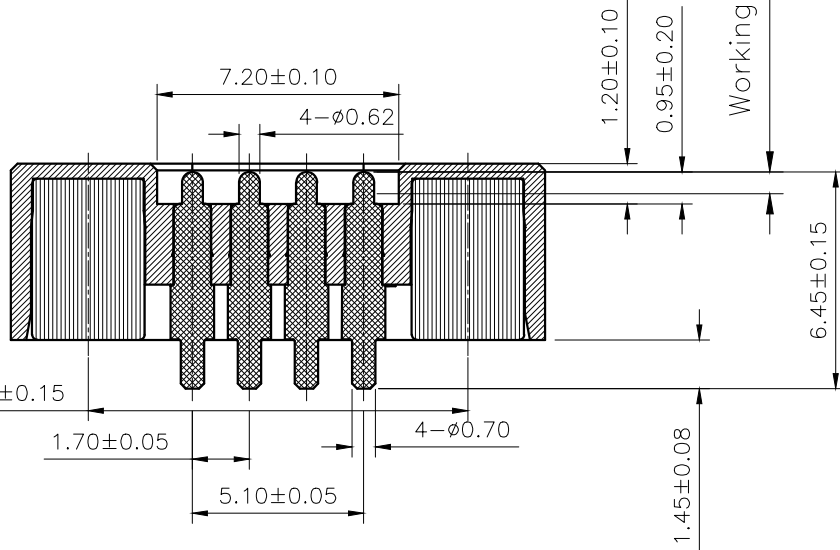
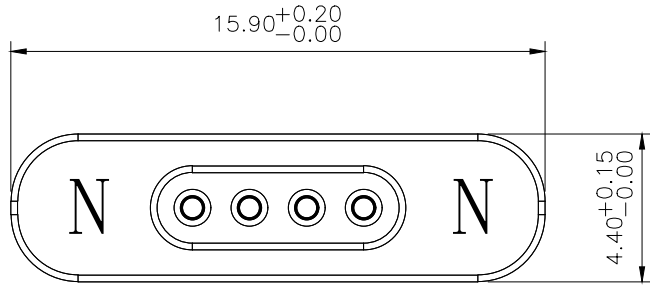
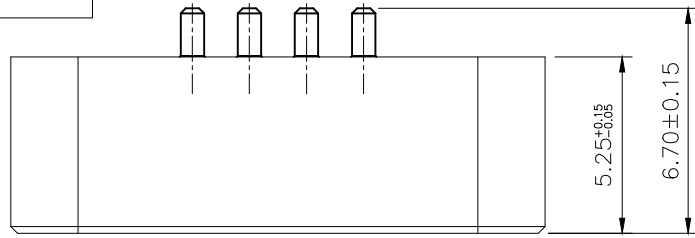


Please Approve this Drawing

Date

Signature



NO.	Part Name	Q'TY	Material	Plated surface
1	Plunger	4	C3604	AU 15 U" MIN
2	Barrel	4	C3604	AU 10 U" MIN
3	Spring	4	SUS304	AU 1 U" MIN.
4	Ball	4	SUS 304	Au 3u"
5	Magnet	2	N52	Ni 80 U" MIN.
6	Housing	1	PA9T	UL 94V-0, Black

NOTES:

- Electrical
 - .Rated Current & Voltage : DC 12 V ; 2 A
 - .Contact Resistance: 50 mohm maximum at Working Height(Quiescence)
- Mechanical
 - .Full store: 0.90 mm
 - .Working Store: 0.60 mm
 - .Spring Force: 45gf±15gf at Normal Working Height
 - .Durability:10,000 cycles(minimum)
- Environmental
 - .Operating Temperature: -25°C~+85°C
 - .Humidity Range: 10%RH~90%RH
 - .Salt Spray: 48 Hours
- Part To Be Free Form Manufacturing Lubricants.
- When the current is greater than 1A then need to increase the time delay circuit(3 second)
- To avoid arcing issue, The adaptor start to power supply after connector mated fully.
- To ensure the best usage,please operate it based on the working height.
- .RoHs&HF compliant product.

DRAWN	tony	DATE	2021.03.22			Dongguan Promax Electronics Technology Co., Ltd	
CHECKED		SCALE	10:1	VER. B.0		Ang:	Dim:
APPROVED		TITLE	pogo pin connector.		0 ±1°	0 ±0.15	
PROJECT		DRAWING NO.	C2998-04PA		.0 ±0.5°	.0 ±0.10	
SHEET	1 of 1	UNIT	mm		.00 ±0.25°	.00 ±0.07	

VER.	DESCRIPTION	ECN NO.	DATE