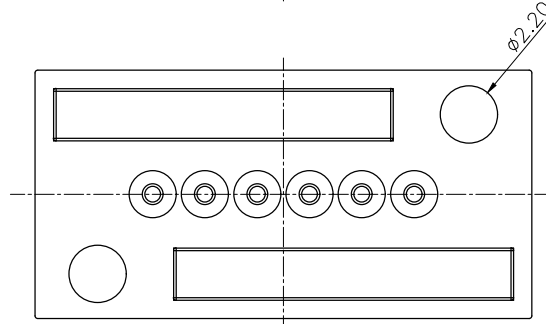
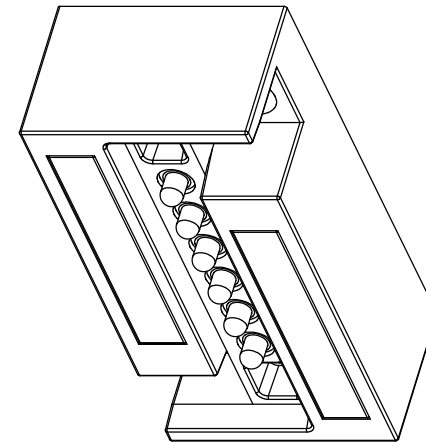
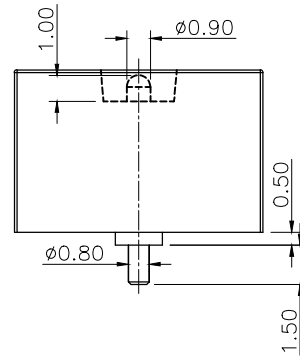
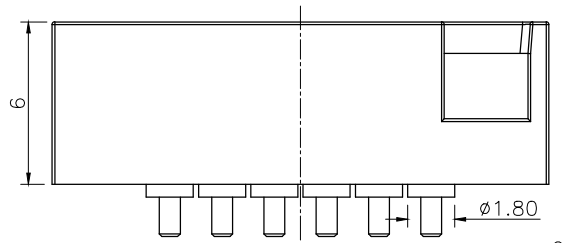
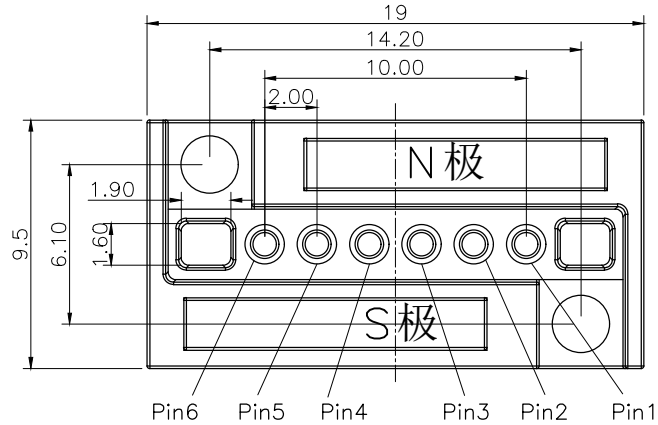


Please Approve this Drawing

Date

Signature

NO.	Part Name	Q'TY	Material	Plated surface
1	PoGo Pin	6	Brass	Au 10u" Min. Over 50u" Min. Ni
2	Housing	1	High temp.Plastic; UL94 V-0 Color Black	
3	Magnet	2	NdFeB N52	Plating Ni
4				
5				



NOTES:

- Electrical
 - .Rated Current & Voltage : DC 12 V ; 1.0A Max.
 - .Contact Resistance: 50 mohm maximum at Working Height(Quiescence)
- Mechanical
 - .Full store: 1.10 mm
 - .Working Store: 0.90 mm
 - .Spring Force: 60gf±15gf at Working Height
 - .Durability:10,000 cycles(minimum)
- Environmental
 - .Operating Temperature: -20°C~+60°C
 - .Humidity Range: 10%RH~90%RH
 - .Salt Spray: 48 Hours
- When the current is greater than 1A then need to increase the time delay circuit(3 second)
- To avoid arcing issue, The adaptor start to power supply after connector mated fully.
- To ensure the best usage,please operate it based on the working height.
- .RoHs&HF compliant product.

DRAWN	lys	DATE	2021.05.06			Dongguan Promax Electronics Technology Co., Ltd	
CHECKED		SCALE	10:1	VER. B.0		Ang:	Dim:
APPROVED		TITLE	pogo pin connector.		0 ±1°	0 ±0.20	
PROJECT		DRAWING NO.	NC3071-06PA		.0 ±0.5°	.0 ±0.15	
SHEET	1 of 1	UNIT	mm		.00 ±0.25°	.00 ±0.10	

VER.	DESCRIPTION	ECN NO.	DATE