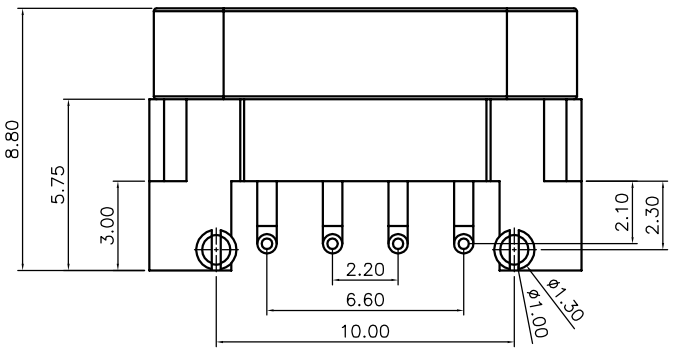
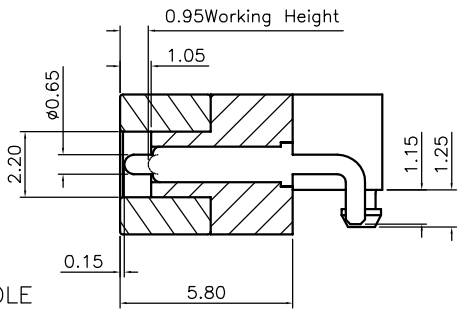
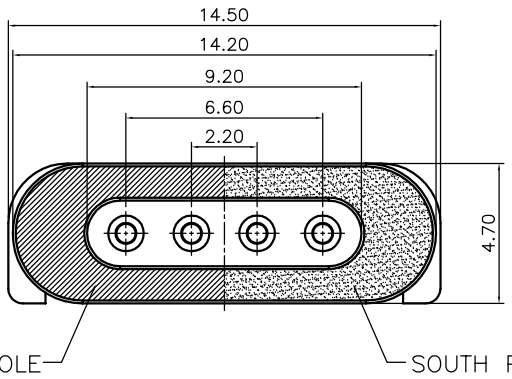
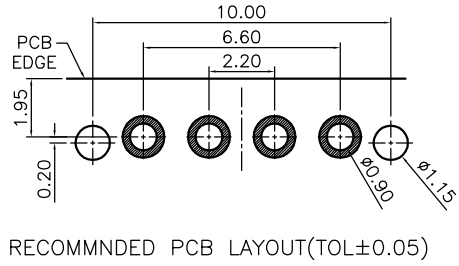
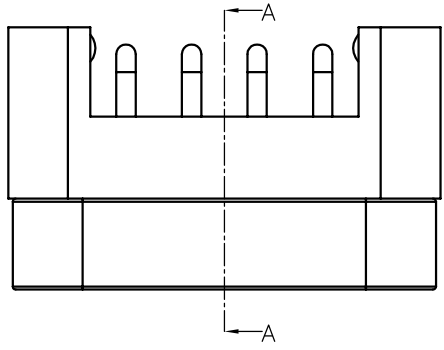


Please Approve this Drawing

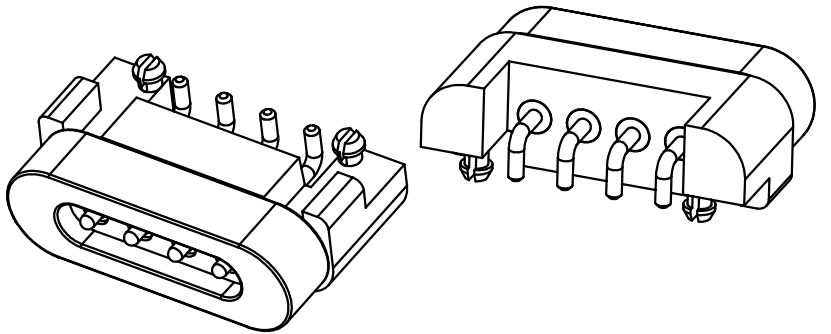
Date	
Signature	

NO.	Part Name	Q'TY	Material	Plated surface
1	Plunger	4	HBI59	AU 5 U" MIN OVER 50~100 U" NI
2	Barrel	4	HBI59	AU 5 U" MIN OVER 50~100 U" NI
3	Spring	4	SUS304	N/A
4	Magnet	1	N52	80~180U" Ni
5	Housing	1	High Temperature Plastics	UL 94V-0, BLACK
6				



NOTES:

- Electrical
 - .Rated Current & Voltage : DC 12 V ; 2.0 A
 - .Contact Resistance: 50 mohm maximum at Working Height(Quiescence)
- Mechanical
 - .Working Store: 0.95 mm
 - .Spring Force: 60gf±15gf at Normal Working Height
 - .Durability:10,000 cycles(minimum)
- Environmental
 - .Operating Temperature: -25°C~+85°C
 - .Humidity Range: 10%RH~90%RH
 - .Salt Spray: 48 Hours
- When the current is greater than 1A then need to increase the time delay circuit(3 second)
- To avoid arcing issue, The adaptor start to power supply after connector mated fully.
- To ensure the best usage,please operate it based on the working height.
- .RoHs&HF compliant product.



DRAWN	Devin	DATE	2022.08.22			Dongguan Promax Electronics Technology Co., Ltd	
CHECKED		SCALE	10:1	VER. A.0		Ang:	Dim:
APPROVED		TITLE	Magnet connector.		0 ±1°	0 ±0.20	
PROJECT		DRAWING NO.	NC5056-04PA		.0 ±0.5°	.0 ±0.15	
SHEET	1 of 1	UNIT	mm		.00 ±0.25°	.00 ±0.10	

VER.	DESCRIPTION	ECN NO.	DATE