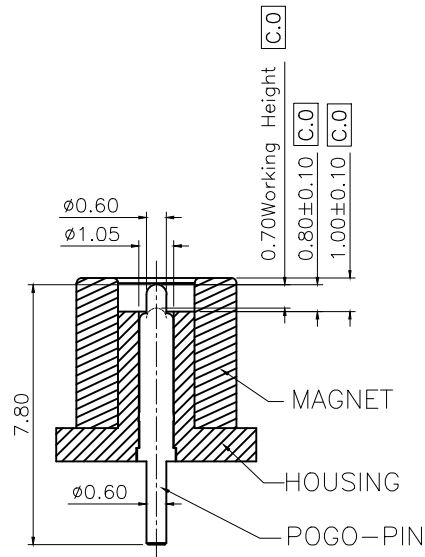
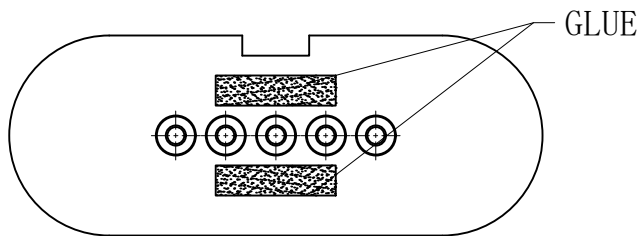
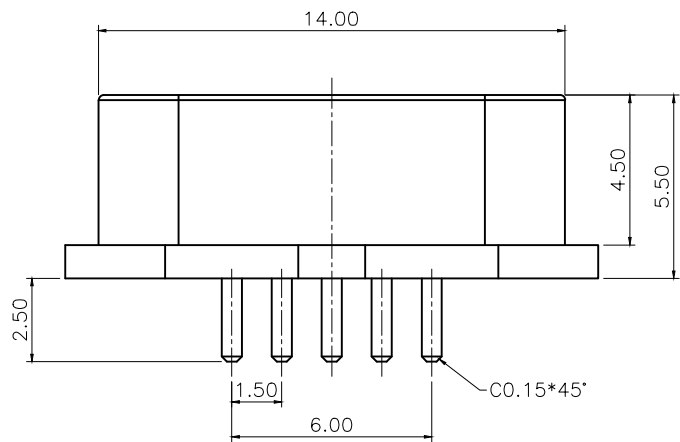
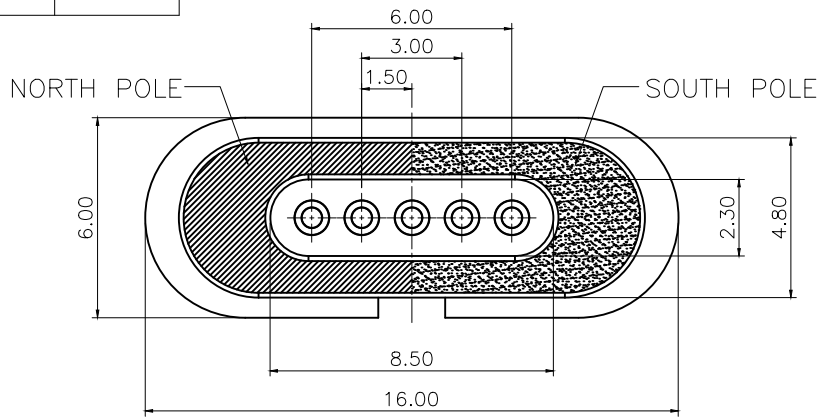


Please Approve this Drawing

Date

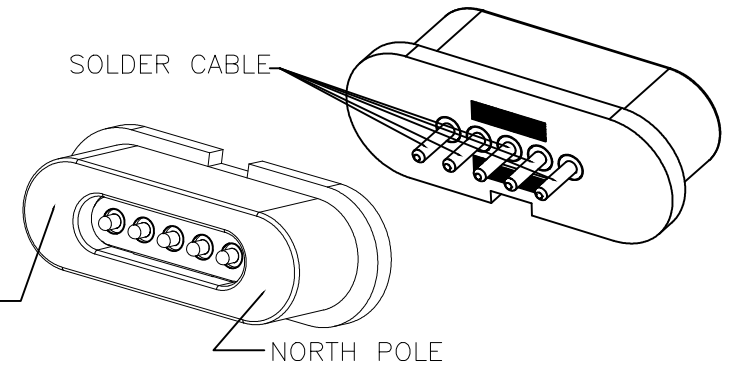
Signature


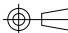


NO.	Part Name	Q'TY	Material	Plated surface
1	Plunger	5	HBI59	AU 5 U" MIN OVER 50~100 U" NI
2	Barrel	5	HBI59	AU 5 U" MIN OVER 50~100 U" NI
3	Spring	5	SUS304	N/A
4	Magnet	1	N52	80~180u" Ni
5	Housing	1	High Temperature Plastics	UL 94V-0, BLACK

NOTES:

- Electrical
 - .Rated Current & Voltage : DC 12 V ; 2.0 A
 - .Contact Resistance: 50 mohm maximum at Working Height(Quiescence)
- Mechanical
 - .Working Stroke: 0.70 mm
 - .Spring Force: 60gf±15gf at Normal Working Height
 - .Durability:10,000 cycles(minimum)
- Environmental
 - .Operating Temperature: -25°C~+85°C
 - .Humidity Range: 10%RH~90%RH
 - .Salt Spray: 48 Hours
- When the current is greater than 1A then need to increase the time delay circuit(3 second)
- To avoid arcing issue, The adaptor start to power supply after connector mated fully.
- To ensure the best usage, please operate it based on the working height.
- .RoHS&HF compliant product.



DRAWN	ZYH	DATE	2023.03.22			 Dongguan Promax Electronics Technology Co., Ltd
CHECKED		SCALE	10:1	VER.	D.0	
APPROVED		TITLE	Magnet connector.			Ang:
PROJECT		DRAWING NO.	NC5132-05PD			0 ±1°
SHEET	1 of 1	UNIT	mm			.0 ±0.5°
						.00 ±0.25°
						Dim: 0 ±0.20
						.0 ±0.15
						.00 ±0.10

VER.	DESCRIPTION	ECN NO.	DATE