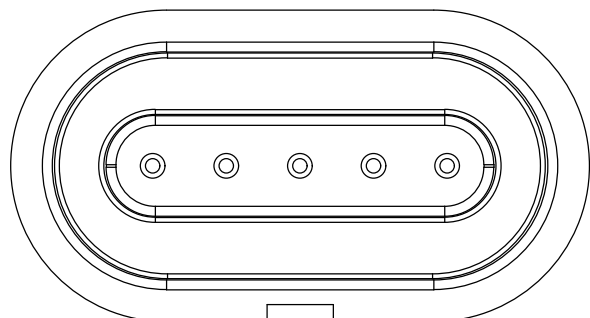
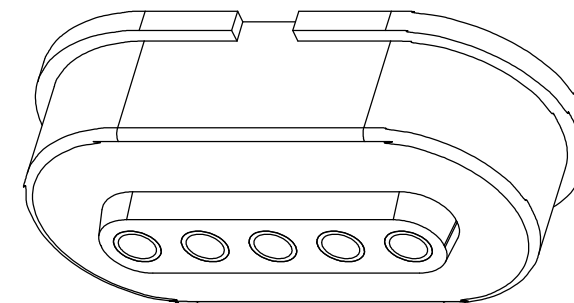
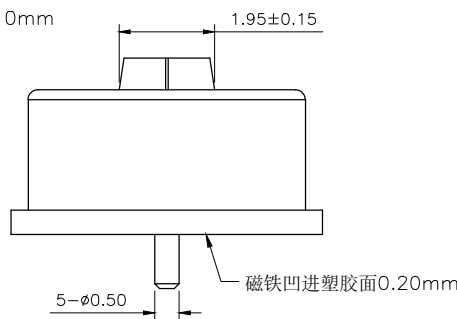
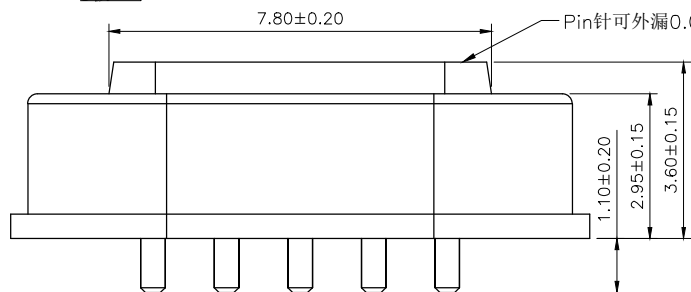
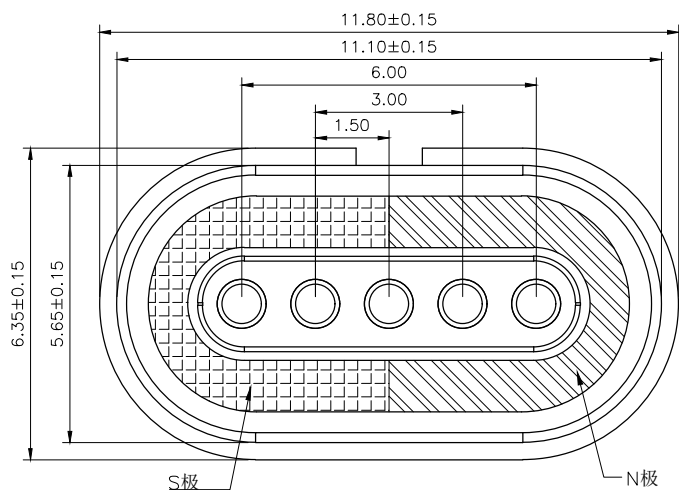


Please Approve this Drawing

Date

Signature

NO.	Part Name	Q'TY	Material	Plated surface
1	Pin	5	C3604	Au 10u" Min. Over 50u" Min. Ni
2	Magnet	1	N52	400~600u" Ni
3	Housing	1	HTN+30%GF	UL 94V-0, Black
4				
5				



- NOTES:
- Electrical
 - .Rated Current & Voltage : DC 12 V ; 1 A
 - .Contact Resistance: 30 mohm maximum at Working Height(Quiescence)
 - Environmental
 - .Operating Temperature: -25°C~+85°C
 - .Humidity Range: 10%RH~90%RH
 - .Salt Spray: 60 Hours
 - .RoHs&HF compliant product.

DRAWN	lys	DATE	2019.11.27			Dongguan Promax Electronics Technology Co., Ltd
CHECKED		SCALE	10:1	VER.	B.0	
APPROVED		TITLE	pin connector.			Ang:
PROJECT		DRAWING NO.	F1456-05R			0 ±1°
SHEET	1 of 1	UNIT	mm			.0 ±0.5°
						.00 ±0.25°
						Dim: 0 ±0.15
						.0 ±0.10
						.00 ±0.05

VER.	DESCRIPTION	ECN NO.	DATE