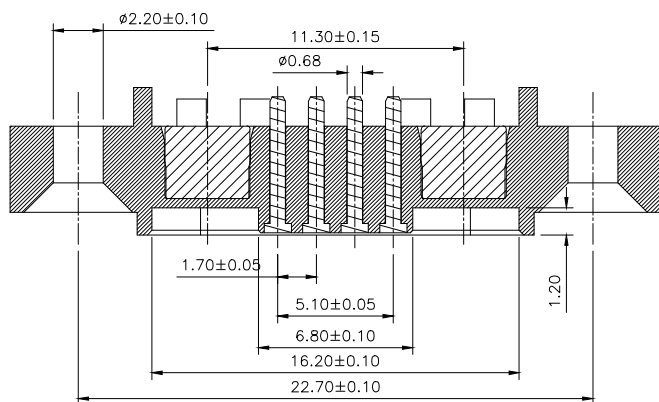
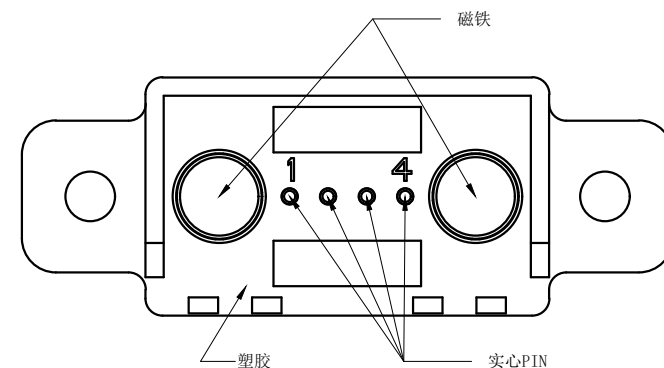
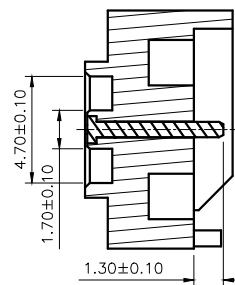
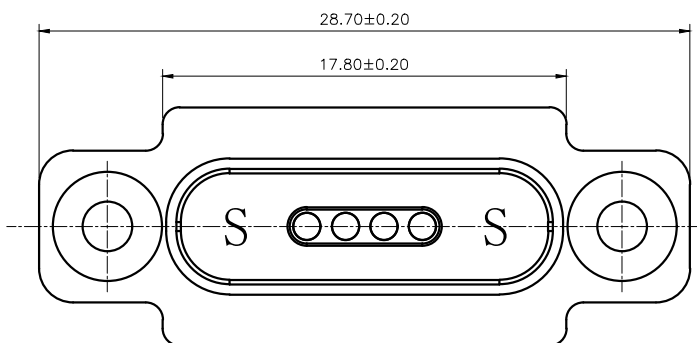
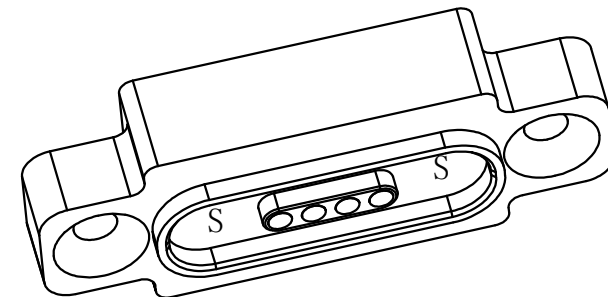
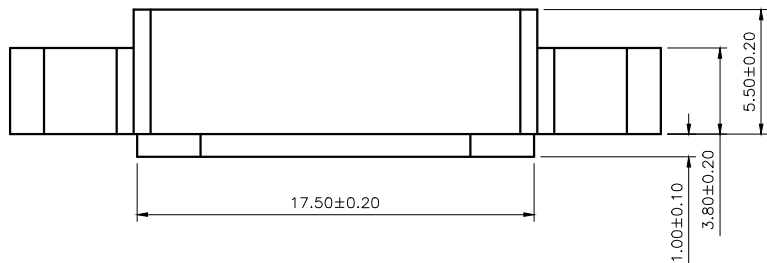


Please Approve this Drawing

Date

Signature

| NO. | Part Name | Q'TY | Material | Plated surface |
|-----|-----------|------|----------|--------------------------------|
| 1 | Pin | 4 | 磷青铜 | Au 15u" Min. Over 120~200u" Ni |
| 2 | Housing | 1 | PA9T | UL 94V-0, Black |
| 3 | Magnet | 2 | N52 | 80~200u" Ni |



NOTES:

- Electrical
 - .Rated Current & Voltage : DC 12 V ; 1 A
 - .Contact Resistance: 30 mohm maximum at Working Height(Quiescence)
- Environmental
 - .Operating Temperature: -25°C~+85°C
 - .Humidity Range: 10%RH~90%RH
 - .Salt Spray: 48 Hours
- .RoHS&HF compliant product.

| | | | | | |
|----------|--------|-------------|---------------------|----------|---|
| DRAWN | tony | DATE | 2021.03.22 | | Dongguan Promax Electronics Technology Co., Ltd |
| CHECKED | | SCALE | 10:1 | VER. B.0 | |
| APPROVED | | TITLE | pogo pin connector. | | Ang: |
| PROJECT | | DRAWING NO. | F2998-04PA | | 0 ±1° |
| SHEET | 1 of 1 | UNIT | mm | | .0 ±0.15 |
| | | | | | .0 ±0.10 |
| | | | | | .00 ±0.07 |

| VER. | DESCRIPTION | ECN NO. | DATE |
|------|-------------|---------|------|
| | | | |