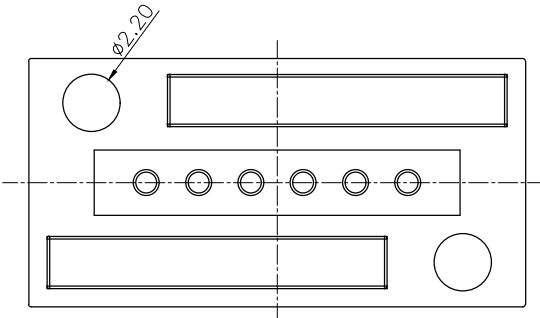
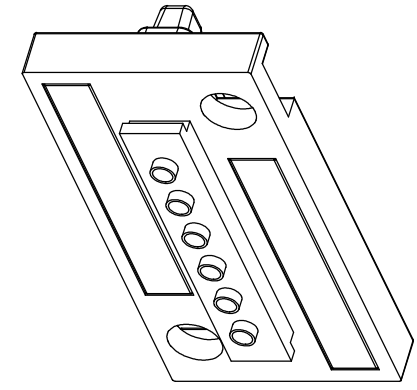
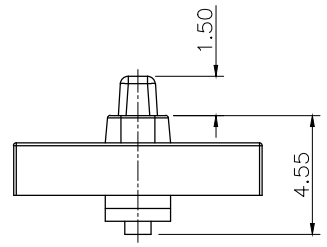
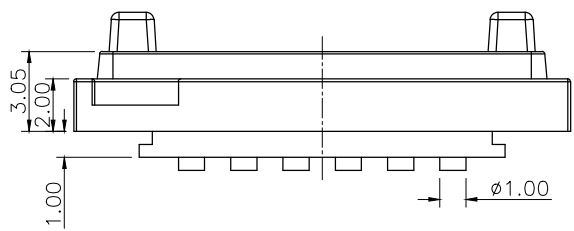
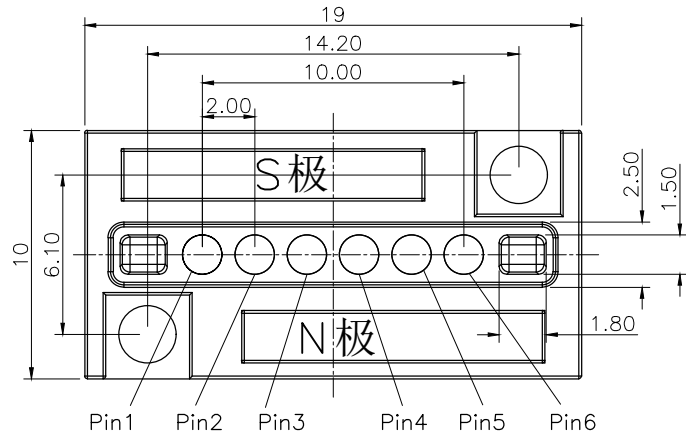


Please Approve this Drawing

Date

Signature


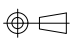
| NO. | Part Name | Q'TY | Material                                | Plated surface                 |
|-----|-----------|------|---|--------------------------------|
| 1   | Pin       | 6    | Brass                                   | Au 10u" Min. Over 50u" Min. Ni |
| 2   | Housing   | 1    | High temp.Plastic; UL94 V-0 Color Black |                                |
| 3   | Magnet    | 2    | NdFeB N52                               | Plating Ni                     |
| 4   |           |      |   |                                |
| 5   |           |      |   |                                |



NOTES:

- Electrical
  - .Rated Current & Voltage : DC 12 V ; 1.0A
  - .Contact Resistance:50 mohm maximum at Working Height(Quiescence)
  - .Insulation Resistance: 1000MQ Min. at 1000VDC/Minute
  - .Dielectric Withstanding Voltage: At 500VAC/Minute No Breakdown
- Environmental
  - .Operating Temperature:  $-20^{\circ}\text{C}\sim+60^{\circ}\text{C}$
  - .Humidity Range: 10%RH~90%RH
  - .Salt Spray: 48 Hours
- RoHs&HF compliant product.

| VER. | DESCRIPTION | ECN NO. | DATE |
|------|-------------|---------|------|
|      |             |         |      |

|          |   |             |                |          |   |
|----------|---|-------------|----------------|----------|---|
| DRAWN    | lys   | DATE        | 2021.05.06     |          |  Dongguan Promax Electronics Technology Co., Ltd |
| CHECKED  |   | SCALE       | 10:1           | VER. B.0 |   |
| APPROVED |   | TITLE       | pin connector. |          | Ang:  |
| PROJECT  |  | DRAWING NO. | NF3071-06PA    |          | 0 $\pm 1^{\circ}$   |
| SHEET    | 1 of 1  | UNIT        | mm             |          | .0 $\pm 0.5^{\circ}$  |
|          |   |             |                |          | .00 $\pm 0.25^{\circ}$  |
|          |   |             |                |          | Dim: 0 $\pm 0.20$   |
|          |   |             |                |          | .0 $\pm 0.15$   |
|          |   |             |                |          | .00 $\pm 0.10$  |