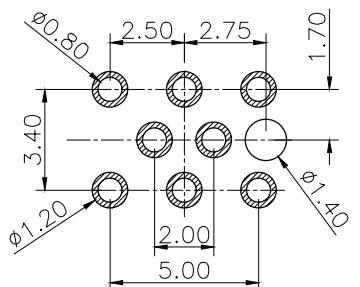
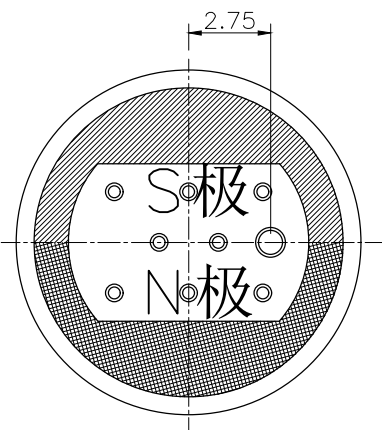
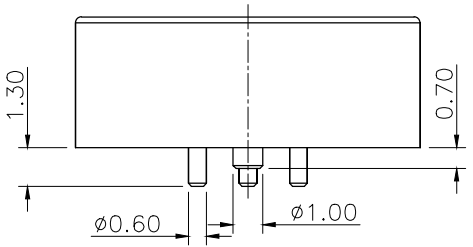
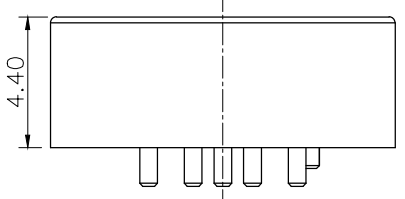
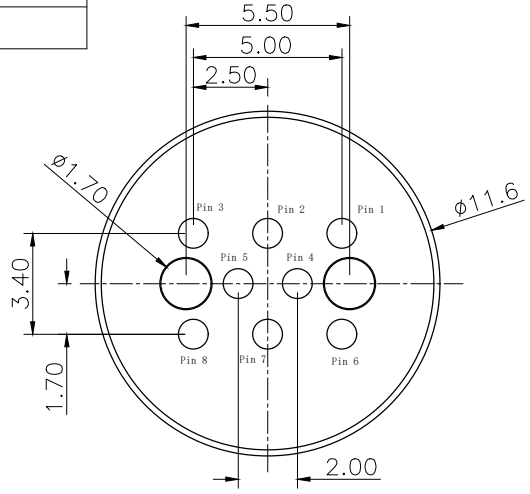


Please Approve this Drawing

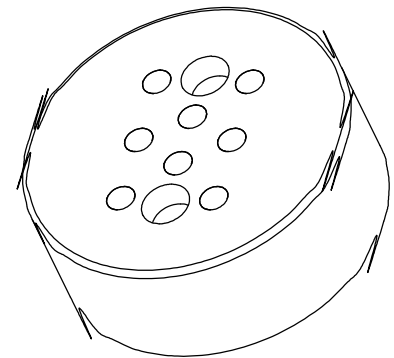
Date

Signature

| NO. | Part Name | Q'TY | Material | Plated surface |
|-----|-----------|------|---|-------------------------------|
| 1 | Pin | 8 | brass | Au 5u" Min. Over 50u" Min. Ni |
| 2 | Housing | 1 | High temp.Plastic; UL94 V-0 Color Black | |
| 3 | Magnet | 2 | NdFeB | Plating Ni |
| 4 | | | | |
| 5 | | | | |



Recommended pcb layout
Layout tolerance: ±0.05mm



- NOTES:
- Electrical
 - .Rated Current & Voltage : DC 5 V ; 1.0A
 - .Contact Resistance:50 mohm maximum at Working Height(Quiescence)
 - .Insulation Resistance: 1000MQ Min. at 1000VDC/Minute
 - .Dielectric Withstanding Voltage: At 500VAC/Minute No Breakdown
 - Environmental
 - .Operating Temperature: -20°C~+80°C
 - .Humidity Range: 10%RH~90%RH
 - .Salt Spray: 48 Hours
 - RoHs&HF compliant product.

| | | | | | | | |
|----------|--------|-------------|----------------|----------|------------|---|------|
| DRAWN | lys | DATE | 2021.10.21 | | | Dongguan Promax Electronics Technology Co., Ltd | |
| CHECKED | | SCALE | 10:1 | VER. B.0 | | Ang: | Dim: |
| APPROVED | | TITLE | pin connector. | | 0 ±1° | 0 ±0.20 | |
| PROJECT | | DRAWING NO. | NF3526-08PB | | .0 ±0.5° | .0 ±0.15 | |
| SHEET | 1 of 1 | UNIT | mm | | .00 ±0.25° | .00 ±0.10 | |

| VER. | DESCRIPTION | ECN NO. | DATE |
|------|-------------|---------|------|
| | | | |