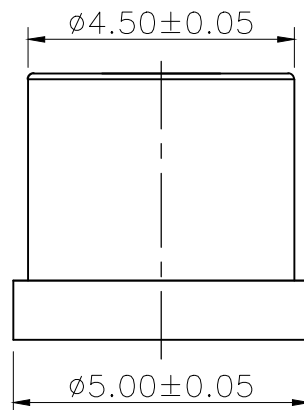
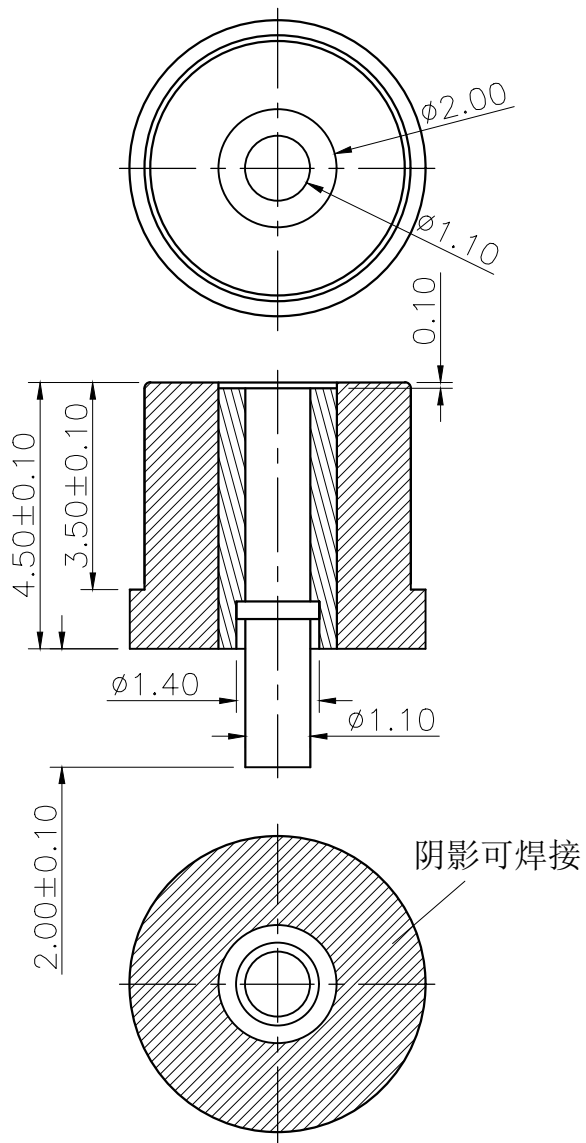


Please Approve this Drawing


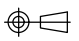
| | |
|-----------|--|
| Date | |
| Signature | |



| NO. | Part Name | Q'TY | Material | Plated surface |
|-----|-----------|------|----------------------------|------------------------------|
| 1 | Pin | 1 | brass | Au 3u" Min. OVER 50U~120" Ni |
| 2 | Shell | 1 | Fe | 200U~400" Ni |
| 3 | Housing | 1 | HTN ; UL94 V-0 Color Black | |
| 4 | | | | |

NOTES:

- Electrical
 - .Rated Current & Voltage : DC 12 V ; 1.0A Max.
 - .Contact Resistance: 100 mohm maximum at Working Height(Quiescence)
- Environmental
 - .Operating Temperature: $-40^{\circ}\text{C} \sim +85^{\circ}\text{C}$
 - .Humidity Range: 10%RH~90%RH
 - .Salt Spray: 24 Hours
- .RoHs&HF compliant product.

| | | | | | | |
|----------|---------------------------------------------------------------------------------------|-------------|-------------|------|-----|----------------------------------------------------------------------------------------------------------------------------------------------|
| DRAWN | Lys | DATE | 2021.07.19 | | |  Dongguan Promax Electronics Technology Co., Ltd |
| CHECKED | | SCALE | 10:1 | VER. | A.0 | |
| APPROVED | | TITLE | Pin | | | Ang: |
| PROJECT |  | DRAWING NO. | NF3591-01RA | | | 0 $\pm 1^{\circ}$ |
| SHEET | 1 of 1 | UNIT | mm | | | .0 $\pm 0.5^{\circ}$ |
| | | | | | | .00 $\pm 0.25^{\circ}$ |
| | | | | | | Dim: 0 ± 0.15 |
| | | | | | | .0 ± 0.10 |
| | | | | | | .00 ± 0.05 |

| VER. | DESCRIPTION | ECN NO. | DATE |
|------|-------------|---------|------|
| | | | |
| | | | |
| | | | |