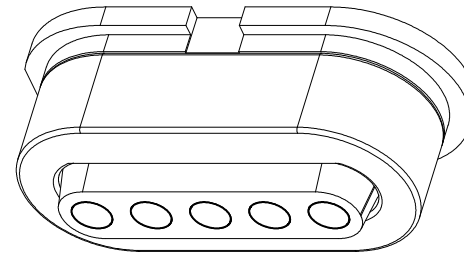
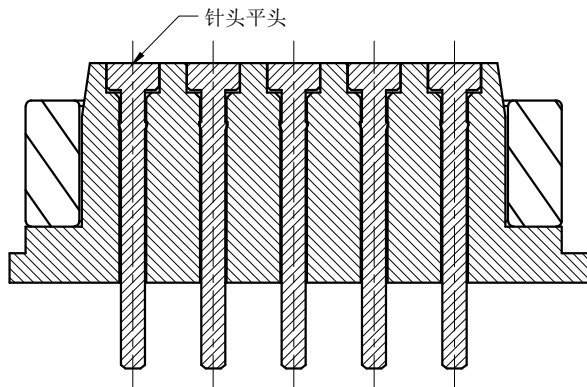
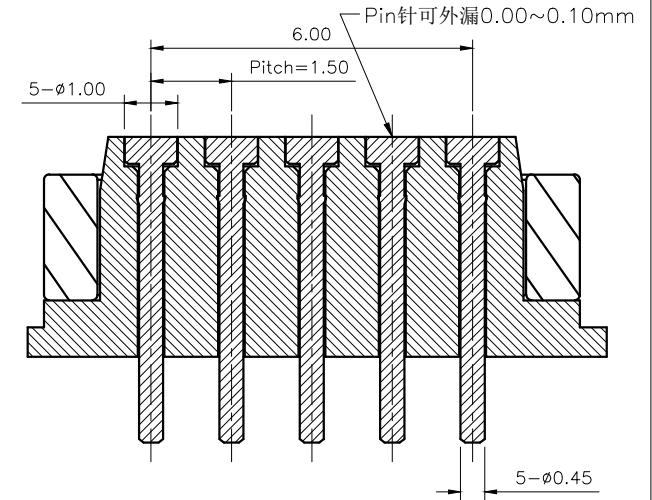
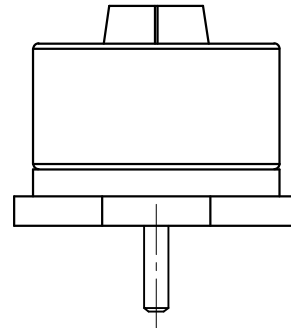
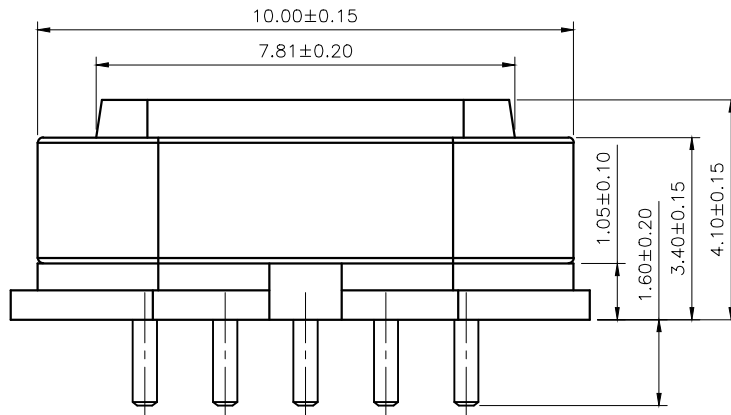
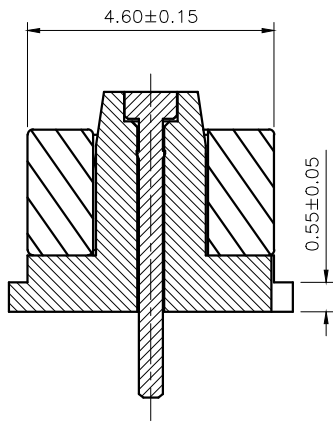
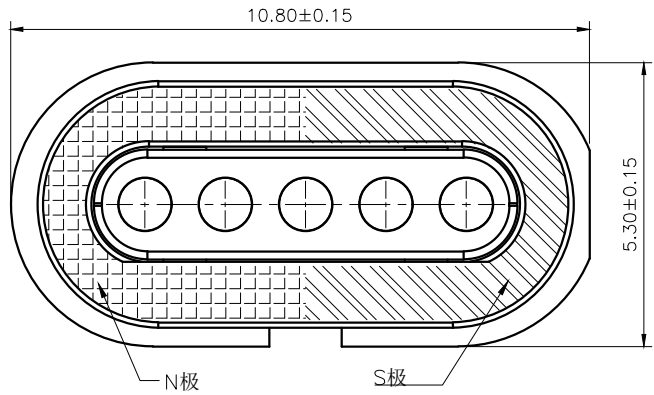


Please Approve this Drawing

Date


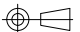
Signature



NO.	Part Name	Q'TY	Material	Plated surface
1	Pin	5	brass	AU 10 U" MIN OVER 50~120 U" NI
2	Housing	1	PA4T	UL 94V-0, Black
3	Magnet	1	N52	300~600u" Ni

NOTES:

- Electrical
 - .Rated Current & Voltage : DC 12 V ; 1 A
 - .Contact Resistance: 30 mohm maximum at Working Height(Quiescence)
- Environmental
 - .Operating Temperature: -25°C~+85°C
 - .Humidity Range: 10%RH~90%RH
 - .Salt Spray: 48 Hours
- .RoHs&HF compliant product.

DRAWN	tony	DATE	2021.10.13		 Dongguan Promax Electronics Technology Co., Ltd	
CHECKED		SCALE	10:1	VER. A.0		
APPROVED		TITLE	pogo pin connector.		Ang:	
PROJECT		DRAWING NO.	NF3946-05PA		0 ±1°	Dim:
SHEET	1 of 1	UNIT	mm		.0 ±0.5°	0 ±0.15
					.00 ±0.25°	.0 ±0.10
						.00 ±0.05

VER.	DESCRIPTION	ECN NO.	DATE