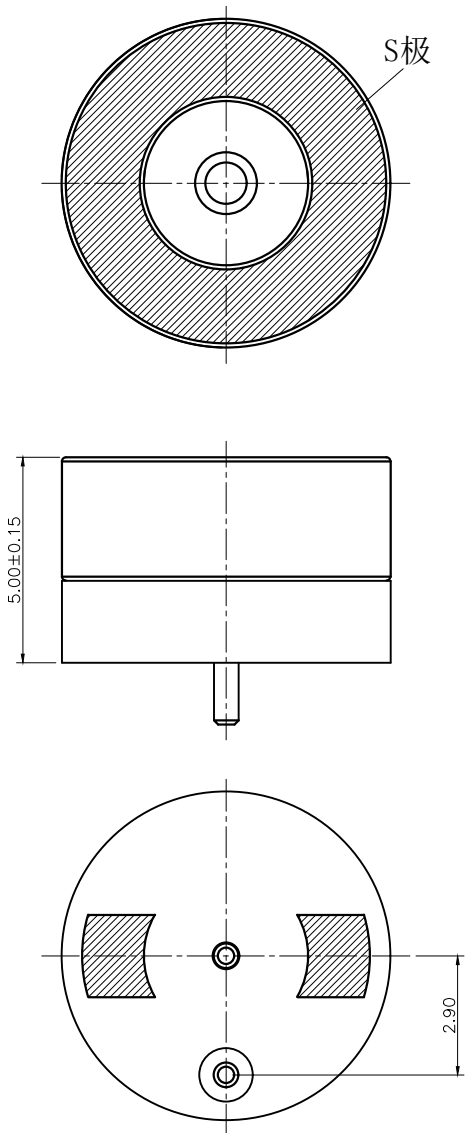


Please Approve this Drawing

Date	
Signature	



NO.	Part Name	Q'TY	Material	Plated surface
1	Pin	1	BRASS	Au 3u" Min. OVER 50U~120" Ni
2	Shell	1	Fe	200u" Min. Ni
3	Housing	1	HTN ; UL94 V-0 Color Black	
4				

NOTES:

- Electrical
  - .Rated Current & Voltage : DC 12 V ; 1.0A Max.
  - .Contact Resistance: 100 mohm maximum at Working Height(Quiescence)
- Environmental
  - .Operating Temperature: -40°C~+85°C
  - .Humidity Range: 10%RH~90%RH
  - .Salt Spray: 48 Hours
- .RoHs&HF compliant product.

DRAWN	Lys	DATE	2021.11.20				Dongguan Promax Electronics Technology Co., Ltd	
CHECKED		SCALE	10:1	VER.	B.0			
APPROVED		TITLE	Pin			Ang:	Dim:	
PROJECT		DRAWING NO.	NF4002-02PB			0 ±1°	0 ±0.15	
SHEET	1 of 1	UNIT	mm			.0 ±0.5°	.0 ±0.10	
						.00 ±0.25°	.00 ±0.05	

VER.	DESCRIPTION	ECN NO.	DATE