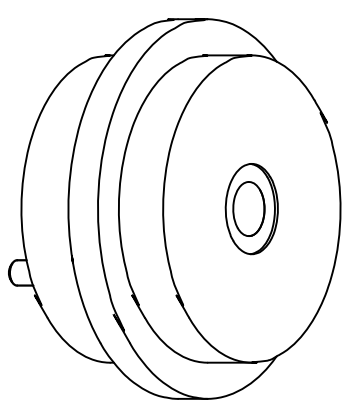
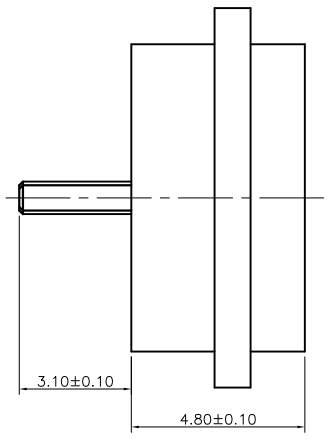
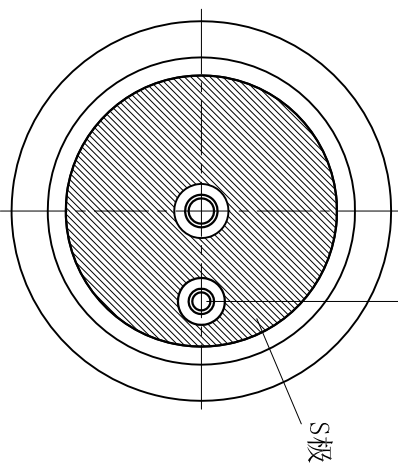
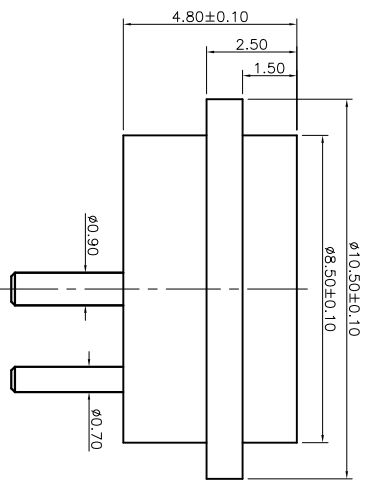
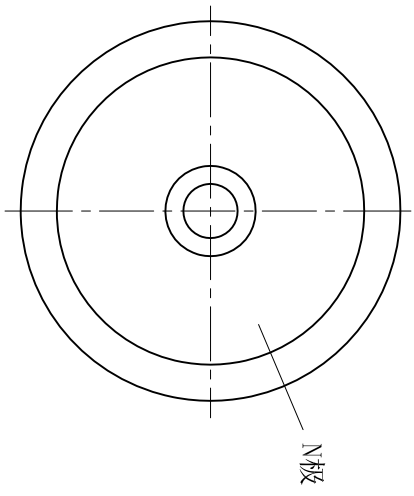


Please Approve this Drawing
Date
Signature



NO.	Part Name	Q'TY	Material	Plated surface
1	Pin	2	无镀铜	Au 5u" Min. OVER 50U~120" Ni
2	Magnet	1	MS2	Ni Plating
3	Shell	1	无镀铜	
4	Housing	1	HTN	UL94 V-0 Color Black

- NOTES:
1. Electrical
 .Rated Current & Voltage : DC 12 V ; 3.0A Max.
 .Contact Resistance: 50 mohm maximum
 at Working Height(Quiescence)
 2. Environmental
 .Operating Temperature: -40°C~+85°C
 .Humidity Range: 10%RH~90%RH
 .Salt Spray: 48 Hours
 .Dustproof and waterproof: IP65
 3. RoHS&HF compliant product.

VER.	DESCRIPTION	ECON NO.	DATE

DRAWN	Lys	DATE	2022.05.09		东莞市燊瑞电子科技有限公司 Ang: Dim:
CHECKED		SCALE	10:1	VER. B.0	
APPROVED		TITLE	Pin		
PROJECT		DRAWING NO.	NF4601-02PB		
SHEET	1 of 1	UNIT	mm		0 ±1° 0 ±0.15
					.0 ±0.5° .0 ±0.10
					.00 ±0.25° .00 ±0.05