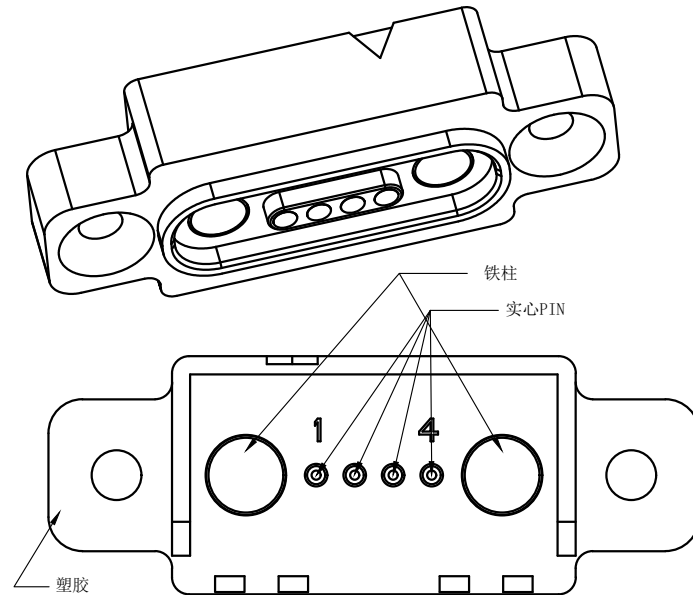
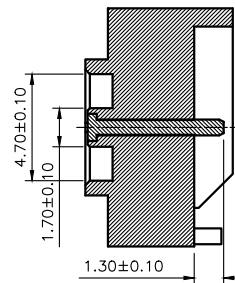
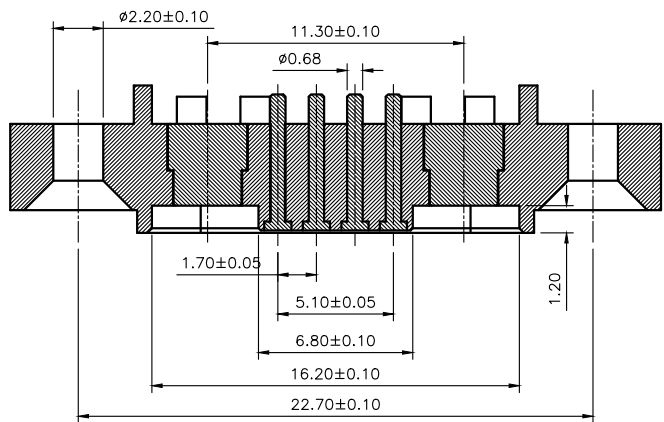
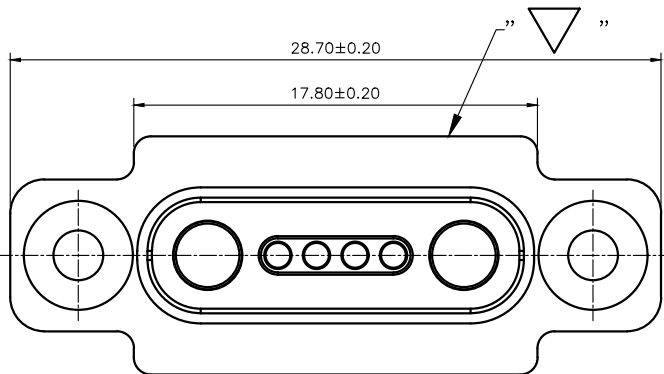
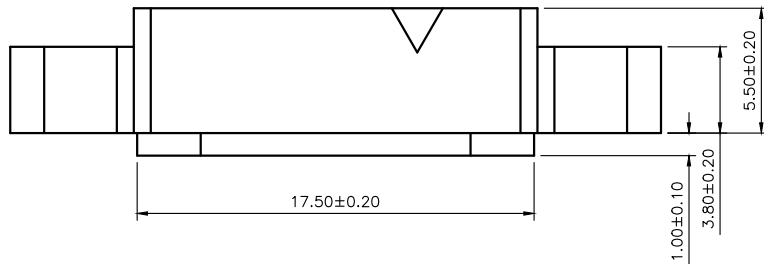


Please Approve this Drawing

Date

Signature

NO.	Part Name	Q'TY	Material	Plated surface
1	Pin	4	brass	Au 15u" Min. Over 120~200u" Ni
2	Housing	1	PA9T	UL 94V-0, Black
3	铁柱	2	magnet	100~200u" Ni



- NOTES:
- Electrical
    - .Rated Current & Voltage : DC 12 V ; 1 A
    - .Contact Resistance: 30 mohm maximum at Working Height(Quiescence)
  - Environmental
    - .Operating Temperature: -25°C~+85°C
    - .Humidity Range: 10%RH~90%RH
    - .Salt Spray: 48 Hours
  - .RoHs&HF compliant product.

DRAWN		DATE	2022.04.09		Dongguan Promax Electronics Technology Co., Ltd
CHECKED		SCALE	10:1	VER. A.0	
APPROVED		TITLE	pogo pin connector.		Ang:
PROJECT		DRAWING NO.	NF4605-04PA		0 ±1°
SHEET	1 of 1	UNIT	mm		.0 ±0.5°
					.00 ±0.25°
					Dim:
					0 ±0.15
					.0 ±0.10
					.00 ±0.05

VER.	DESCRIPTION	ECN NO.	DATE