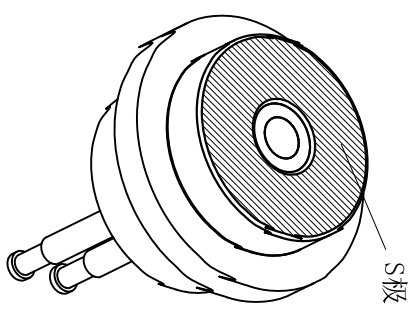
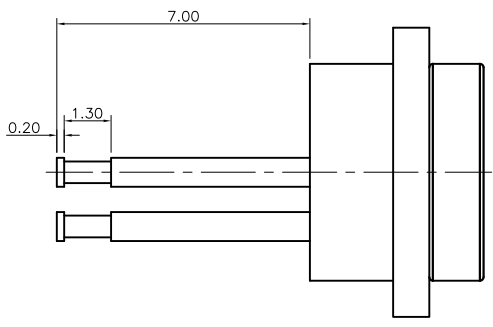
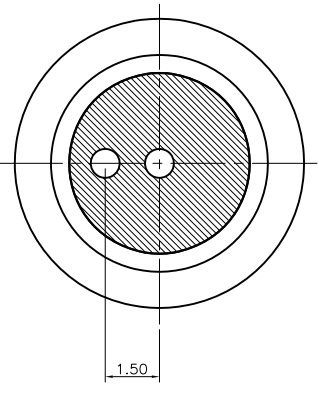
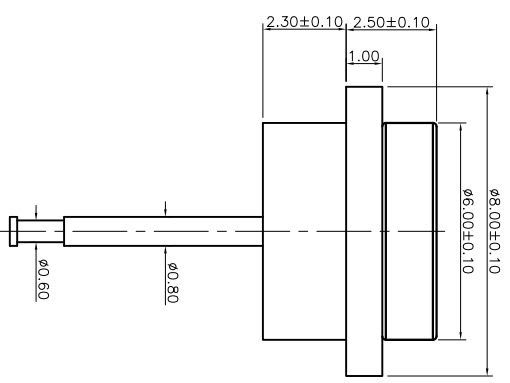
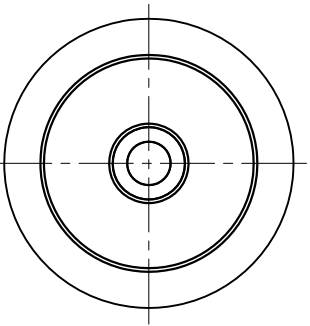


Please Approve this Drawing
 Date
 Signature



NO.	Part Name	Q'TY	Material	Plated surface
1	Pin	2	无磁铜	Au 10u" Min. OVER 50u~120" Ni
2	Magnet	1	NdFeB	Ni Plating
3	Housing	1	HTN	UL94 V-0 Color Black
4				

NOTES:
 1. Electrical
 .Rated Current & Voltage : DC 12 V ; 2.0A Max.
 .Contact Resistance: 50 mohm maximum
 at Working Height(Quiescence)
 2. Environmental
 .Operating Temperature: -40C~+85C
 .Humidity Range: 10%RH~90%RH
 .Salt Spray: 48 Hours
 3. RoHS&HF compliant product.

VER.	DESCRIPTION	ECN NO.	DATE

DRAWN	Lys	DATE	2022.05.18
CHECKED		SCALE	10:1
APPROVED		TITLE	Pin
PROJECT		DRAWING NO.	NF4710-02PA
SHEET	1 of 1	UNIT	mm
		Ang:	0 ±1° 0 ±0.5° .00 ±0.25°
		Dim:	0 ±0.15 0 ±0.10 .00 ±0.05

东莞市燊瑞电子科技有限公司