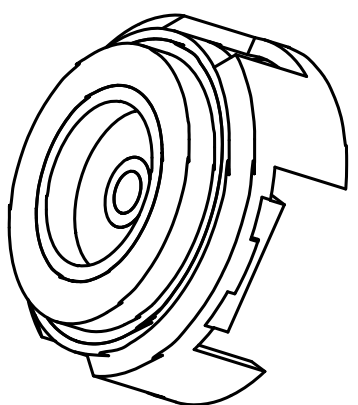
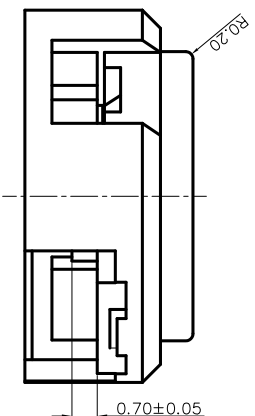
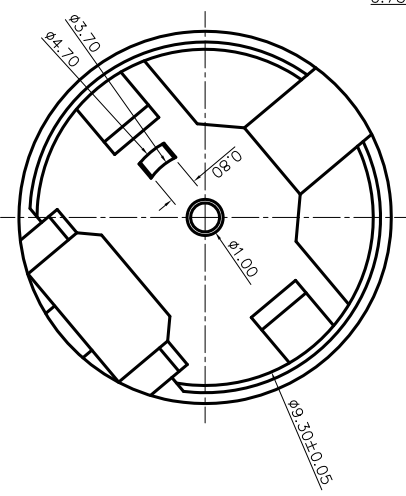
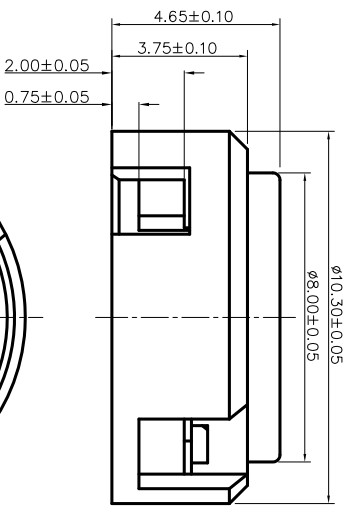
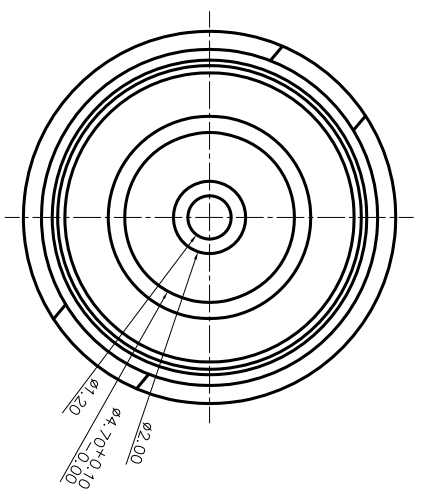


Please Approve this Drawing
 Date
 Signature



NO.	Part Name	Q'TY	Material	Plated surface
1	Pin	1	无铅铜	Au 10u" Min. OVER 50U~120" Ni
2	铜环	1	无铅铜	Au 10u" Min. OVER 50U~120" Ni
3	铁环	1	铁	Ni Plating
4	Housing	1	High temp. Plastic: UL94 V-0	Color Black

- NOTES:
- Electrical
 . Rated Current & Voltage : DC 12 V ; 3.0A Max.
 . Contact Resistance: 50 mohm maximum
 at Working Height(Quiescence)
 - Environmental
 . Operating Temperature: -40C~+85C
 . Humidity Range: 10%RH~90%RH
 . Salt Spray: 48 Hours
 3 .RoHS&HF compliant product.

DRAWN	Lys	DATE	2022.06.25
CHECKED		SCALE	10:1
APPROVED		TITLE	Pin
PROJECT		DRAWING NO.	NF4777-02PA
SHEET	1 of 1	UNIT	mm

Ang: 0 ±1° Dim: 0 ±0.25
 .0 ±0.5' .0 ±0.15
 .00 ±0.25' .00 ±0.10

东莞市聚瑞电子科技有限公司

VER.	DESCRIPTION	EON NO.	DATE