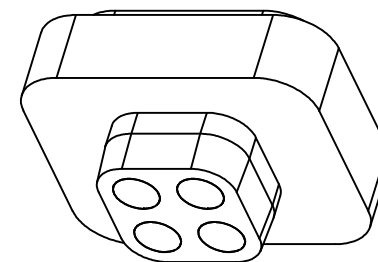
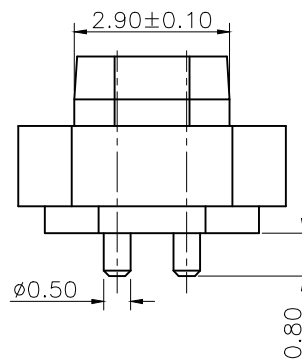
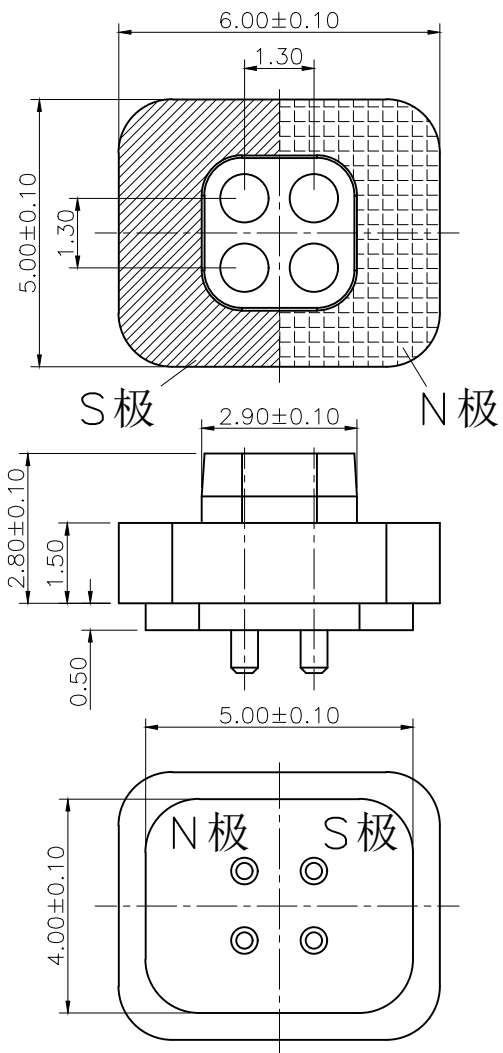


Please Approve this Drawing



Date	
Signature	

NO.	Part Name	Q'TY	Material	Plated surface
1	Pin	4	brass	Au 5u" Min. OVER 50U~120" Ni
2	Magnet	1	NdFeB	Ni Plating
3	Housing	1	High temp.Plastic; UL94 V-0 Color Black	
4				



NOTES:

- Electrical
 - .Rated Current & Voltage : DC 12 V ; 2.0A Max.
 - .Contact Resistance: 50 mohm maximum at Working Height(Quiescence)
- Environmental
 - .Operating Temperature: -30°C~+60°C
 - .Humidity Range: 10%RH~90%RH
 - .Salt Spray: 48 Hours
- .RoHs&HF compliant product.

DRAWN	Lys	DATE	2022.06.15			 Dongguan Promax Electronics Technology Co., Ltd
CHECKED		SCALE	10:1	VER.	A.0	
APPROVED		TITLE	Pin			Ang:
PROJECT		DRAWING NO.	NF4809-04PA			0 ±1°
SHEET	1 of 1	UNIT	mm			.0 ±0.5°
						.00 ±0.25°
						Dim: 0 ±0.15
						.0 ±0.10
						.00 ±0.05

VER.	DESCRIPTION	ECN NO.	DATE