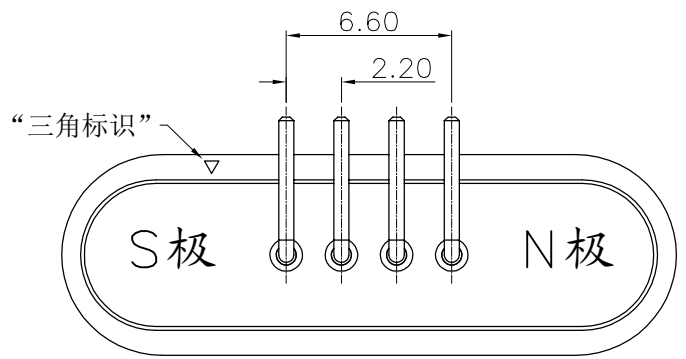
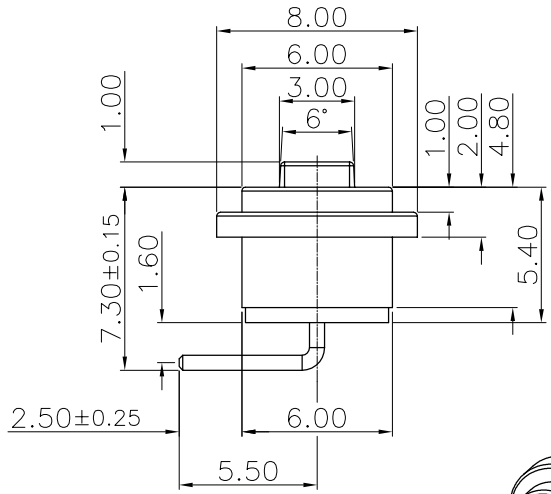
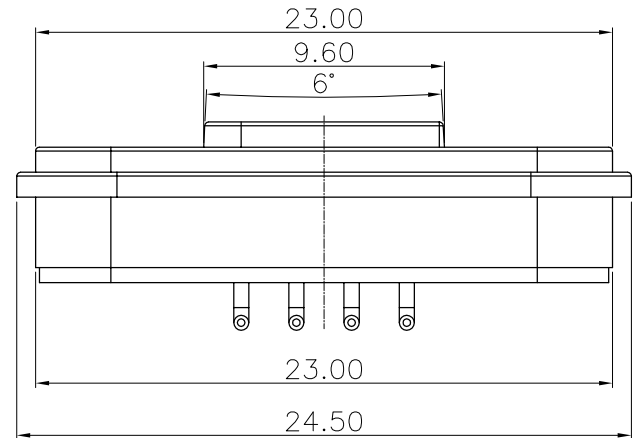
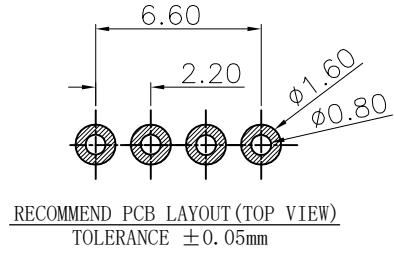
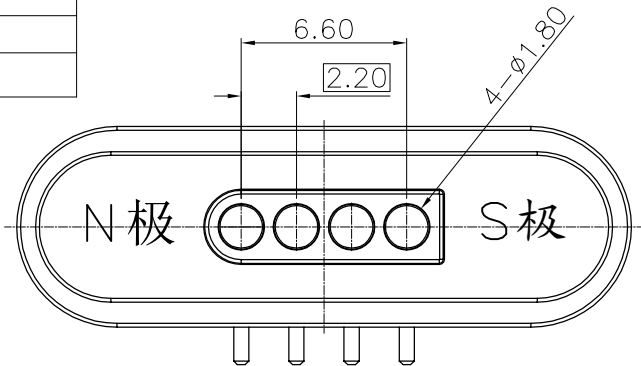


Please Approve this Drawing

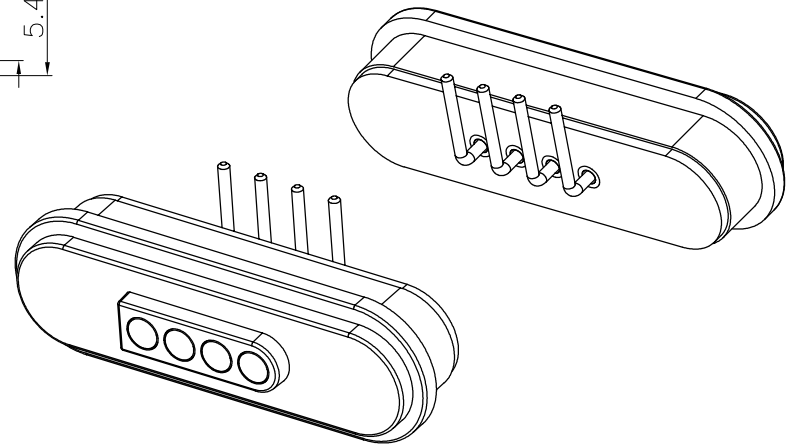
Date

Signature



NO.	Part Name	Q'TY	Material	Plated surface
1	PIN	4	HBi59	Au 5u" Min. Over 50u" Min. Ni
2	Magnet	2	NdFeB N52	Plating Ni
3	PCB	1	FR-4	/
4	Housing	1	High temp.Plastic; UL94 V-0	Color Black

- NOTES:
- Electrical
 - .Rated Current & Voltage : DC 12 V ; 2 A
 - .Contact Resistance: 50 mohm maximum
 - Environmental
 - .Operating Temperature: -25°C~+85°C
 - .Humidity Range: 10%RH~90%RH
 - .Salt Spray: 48 Hours
 - When the current is greater than 1A then need to increase the time delay circuit(3 second)
 - To avoid arcing issue, The adaptor start to power supply after connector mated fully.
 - To ensure the best usage, please operate it based on the working height.
 - .RoHs&HF compliant product.



DRAWN	Devin	DATE	2022.06.29		Dongguan Promax Electronics Technology Co., Ltd
CHECKED		SCALE	10:1	VER. A.0	
APPROVED		TITLE	pogo pin connector.		Ang:
PROJECT		DRAWING NO.	F4857-04PA		0 ±1°
SHEET	1 of 1	UNIT	mm		.0 ±0.5°
					.00 ±0.10
					0 ±0.20
					.0 ±0.15
					.00 ±0.10

VER.	DESCRIPTION	ECN NO.	DATE